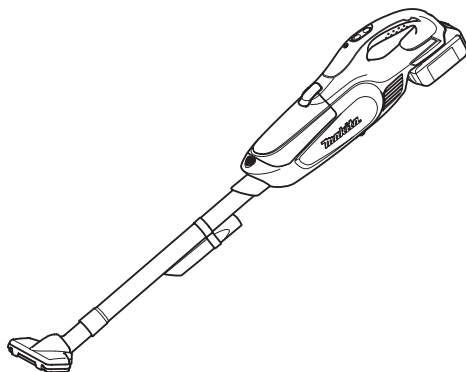




EN	Cordless Cleaner	INSTRUCTION MANUAL	7
UK	Бездротовий очищувач	ІНСТРУКЦІЯ З ЕКСПЛУАТАЦІЇ	13
PL	Odkurzacz Akumulatorowy	INSTRUKCJA OBSŁUGI	20
RO	Aspirator cu acumulator	MANUAL DE INSTRUCȚIUNI	27
DE	Akku-Staubsauger	BEDIENUNGSANLEITUNG	34
HU	Akkumulátoros porszívó	HASZNÁLATI KÉZIKÖNYV	41
SK	Bezdrôtový čistič	NÁVOD NA OBSLUHU	48
CS	Akkumulátorový vysavač	NÁVOD K OBSLUZE	54

DCL142
DCL182
DCL182F



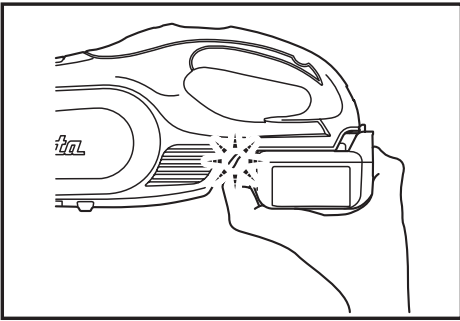


Fig.1

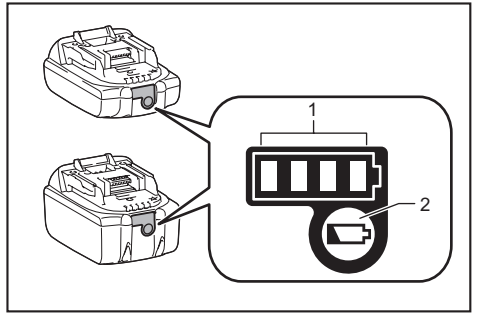


Fig.5

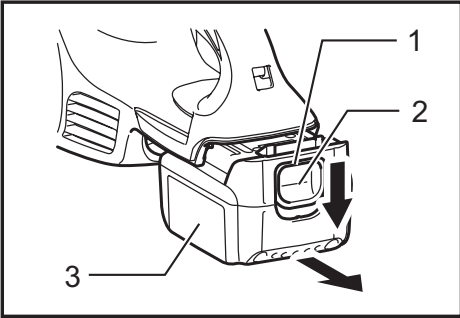


Fig.2

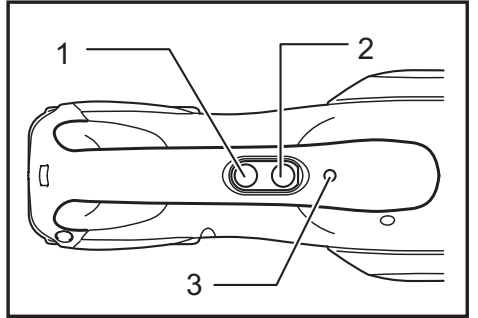


Fig.6

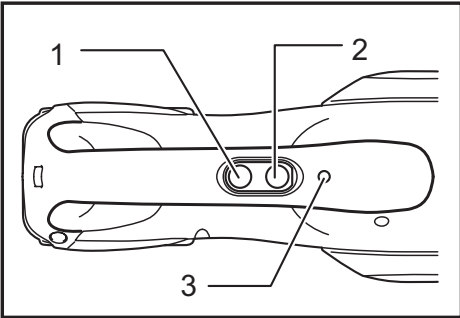


Fig.3

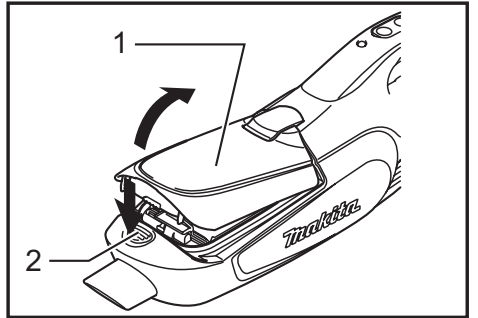


Fig.7

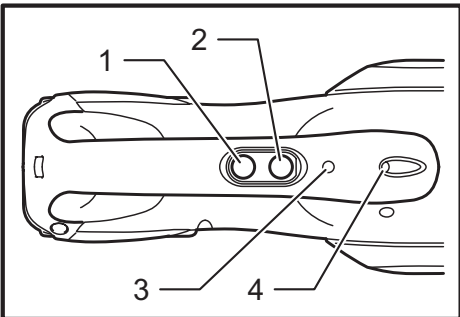


Fig.4

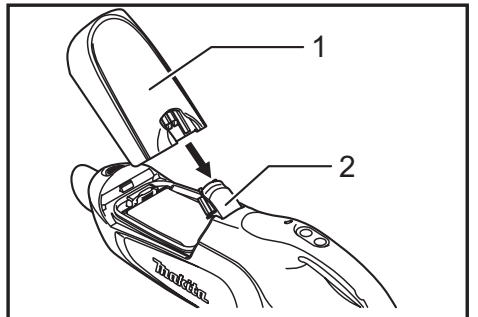


Fig.8

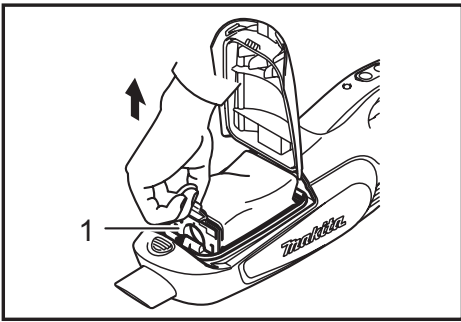


Fig.9

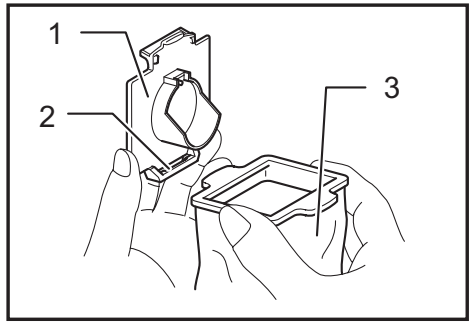


Fig.13

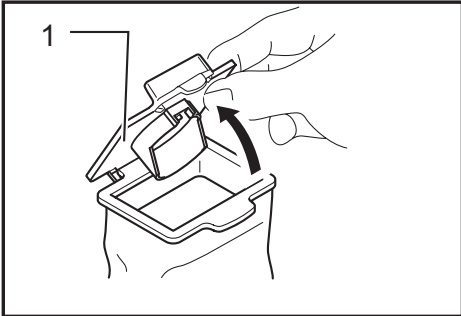


Fig.10

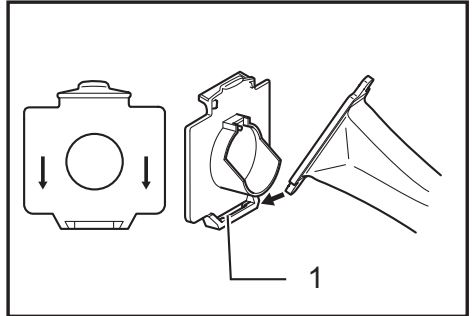


Fig.14

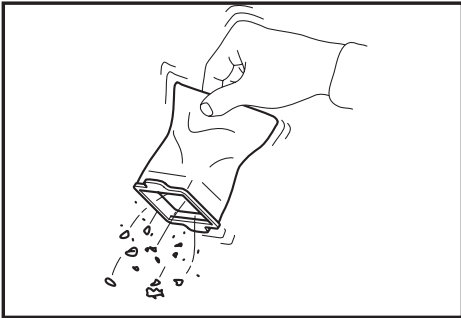


Fig.11

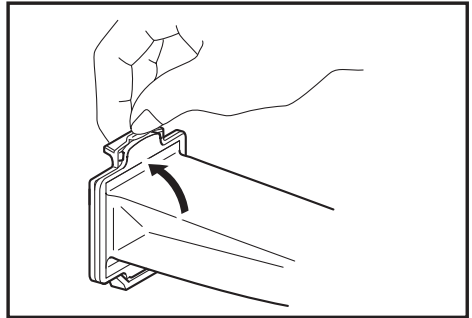


Fig.15

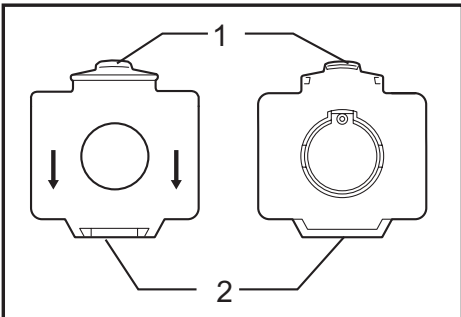


Fig.12

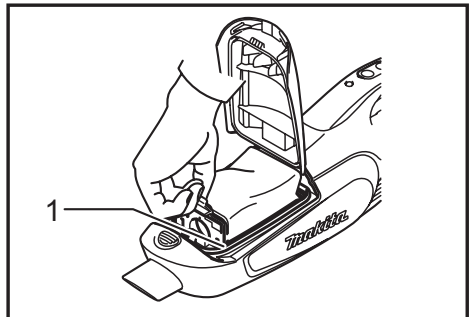


Fig.16

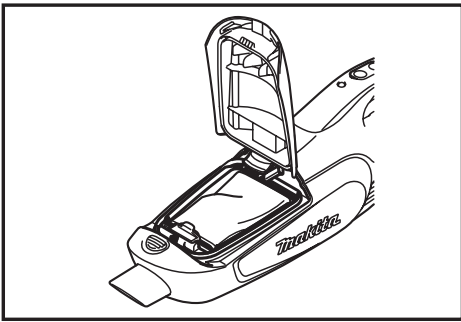


Fig.17

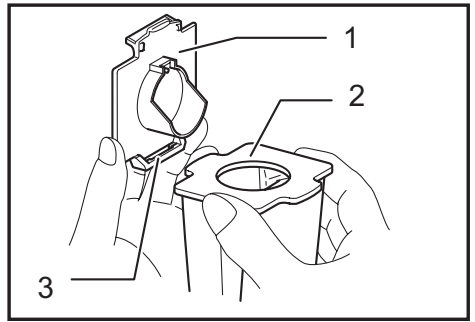


Fig.21

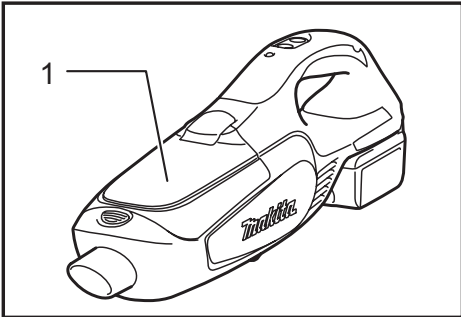


Fig.18

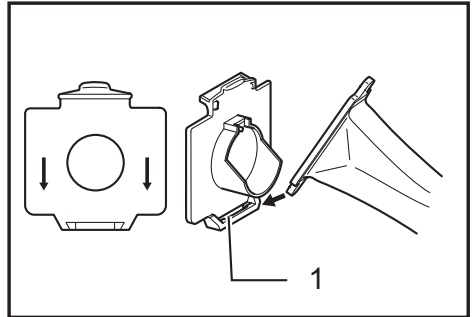


Fig.22

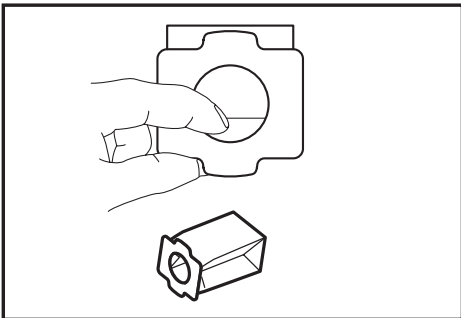


Fig.19

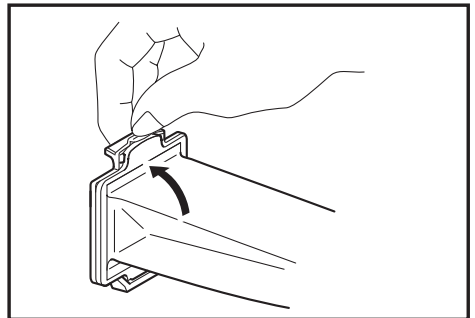


Fig.23

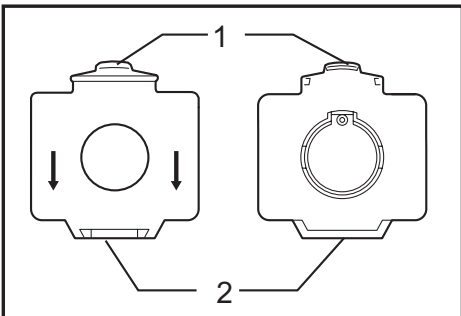


Fig.20

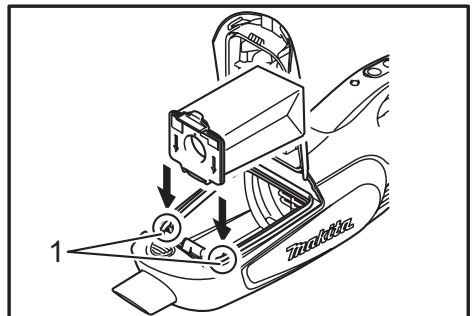


Fig.24

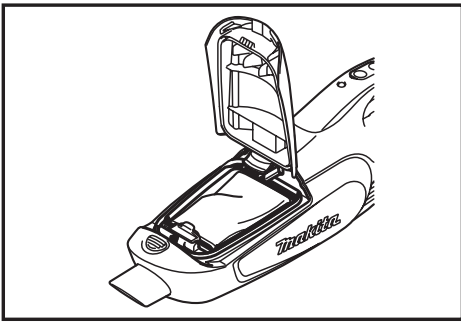


Fig.25

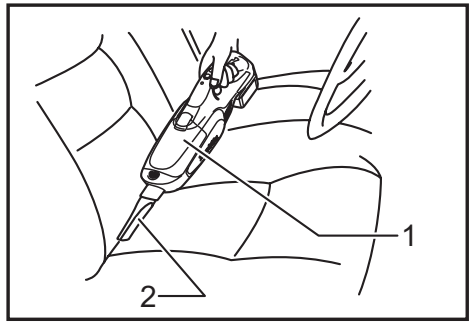


Fig.29

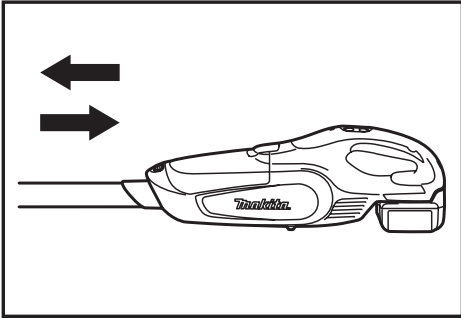


Fig.26

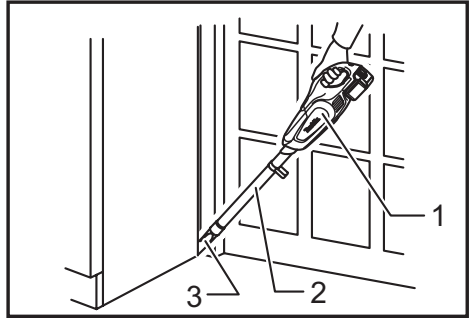


Fig.30

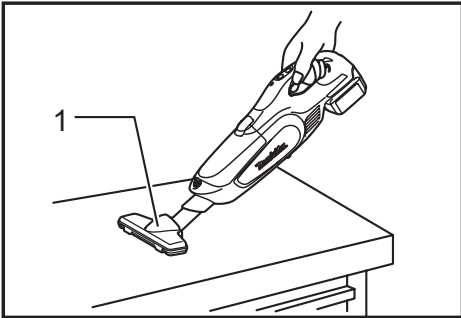


Fig.27

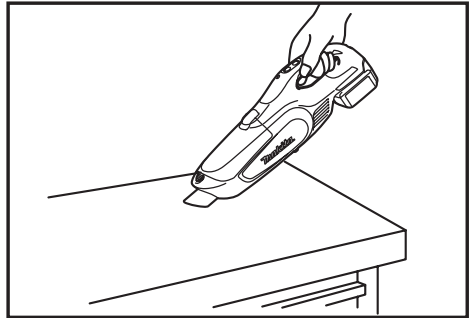


Fig.31

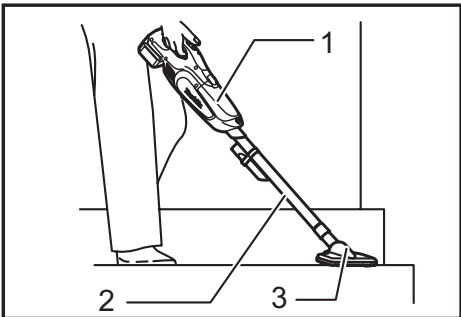


Fig.28

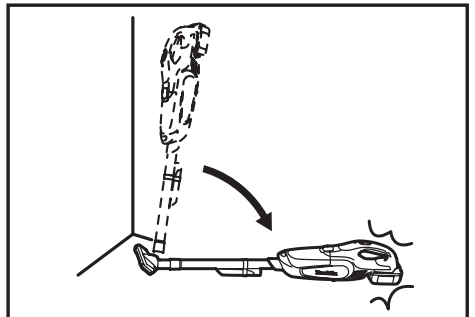


Fig.32

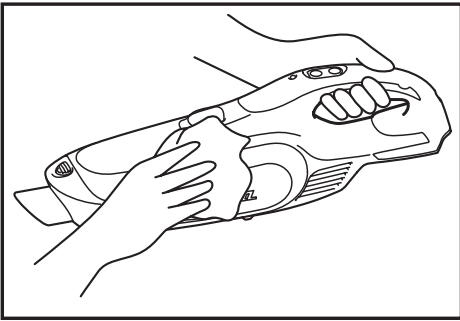


Fig.33

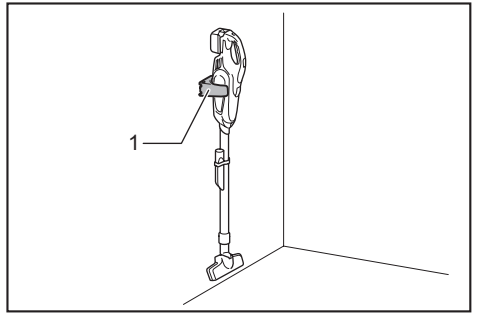


Fig.37

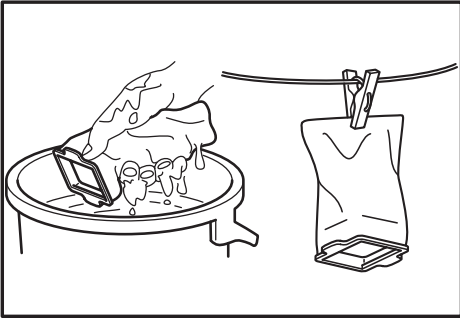


Fig.34

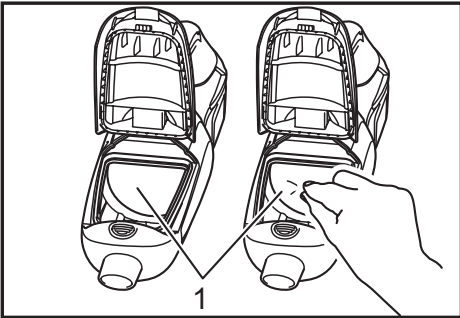


Fig.35

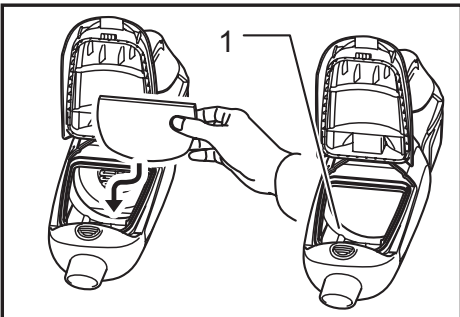


Fig.36

WARNING

This appliance can be used by children aged from 8 years and above and persons with reduced physical, sensory or mental capabilities or lack of experience and knowledge if they have been given supervision or instruction concerning use of the appliance in a safe way and understand the hazards involved. Children shall not play with the appliance. Cleaning and user maintenance shall not be made by children without supervision.

SPECIFICATIONS

Model		DCL142	DCL182	DCL182F
Capacity	with a dust bag	0.50 L		
	with a paper pack	0.33 L		
Continuous use	HIGH	Approx. 20 min		
	LOW	Approx. 40 min		
Overall length		986 mm	1,004 mm	
Net weight		1.3 kg		
Rated voltage		D.C. 14.4 V	D.C. 18 V	

- Due to our continuing program of research and development, the specifications herein are subject to change without notice.
- Specifications and battery cartridge may differ from country to country.
- Weight, with battery cartridge, according to EPTA-Procedure 01/2003

Symbols

The following show the symbols used for the equipment. Be sure that you understand their meaning before use.



Read instruction manual.



Only for EU countries
Do not dispose of electric equipment or battery pack together with household waste material!
In observance of the European Directives, on Waste Electric and Electronic Equipment and Batteries and Accumulators and Waste Batteries and Accumulators and their implementation in accordance with national laws, electric equipment and batteries and battery pack(s) that have reached the end of their life must be collected separately and returned to an environmentally compatible recycling facility.

Intended use

The tool is intended for collecting dry dust.

IMPORTANT

SAFETY INSTRUCTIONS

When using an electrical appliance, basic precautions should always be followed, including the following:

READ ALL INSTRUCTIONS

BEFORE USING THIS APPLIANCE.

WARNING - To reduce the risk of fire, electric shock or injury:

1. **Do not expose to rain. Store indoors.**
2. **Do not allow to be used as a toy. Close attention is necessary when used by or near children.**
3. **Use only as described in this manual. Use only manufacturer's recommended attachments.**
4. **Do not use with damaged battery. If appliance is not working as it should, has been dropped, damaged, left outdoors, or dropped into water, return it to a service center.**
5. **Do not handle appliance with wet hands.**
6. **Do not put any object into openings. Do not use with any opening blocked; keep free of dust, lint, hair, and anything that may reduce air flow.**
7. **Keep hair, loose clothing, fingers, and all parts of body away from openings and moving parts.**

8. Turn off all controls before removing the battery.
9. Use extra care when cleaning on stairs.
10. Do not use to pick up flammable or combustible liquids, such as gasoline, or use in areas where they may be present.
11. Use only the charger supplied by the manufacturer to recharge.
12. Do not pick up anything that is burning or smoking, such as cigarettes, matches, or hot ashes.
13. Do not use without filters in place.
14. Do not charge the battery outdoors.

Battery tool use and care

15. Recharge only with the charger specified by the manufacturer. A charger that is suitable for one type of battery pack may create a risk of fire when used with another battery pack.
16. Use power tools only with specifically designed battery packs. Use of any other battery packs may create a risk of injury and fire.
17. When (the) battery pack is not in use, keep it away from other metal objects, like paper clips, coins, keys, nails, screws or other small metal objects, that can make a connection from one terminal to another.
18. Under abusive conditions, liquid may be ejected from the battery; avoid contact. If contact accidentally occurs, flush with water.

SAVE THESE INSTRUCTIONS.

This appliance is intended for household use.

ADDITIONAL SAFETY RULES

1. Read this instruction manual and the charger instruction manual carefully before use.
2. Do not pick up the following materials:
 - Hot materials such as lit cigarettes or spark/metal dust generated by grinding/cutting metal
 - Flammable materials such as gasoline, thinner, benzene, kerosene or paint
 - Explosive materials like nitroglycerin
 - Ignitable materials such as Aluminum, zinc, magnesium, titanium, phosphorus or celluloid
 - Wet dirt, water, oil or the like
 - Hard pieces with sharp edges, such as wood chips, metals, stones, glasses, nails, pins or razors
 - Powder to clot such as cement or toner
 - Conductive dust such as metal or carbon
 - Fine particle like concrete dust
 Such action may cause fire, injury and/or property damage.
3. Stop operation immediately if you notice anything abnormal.
4. If you drop or strike the cleaner, check it carefully for cracks or damage before operation.
5. Do not bring close to stoves or other heat sources.
6. Do not block the intake hole or vent holes.

SAVE THESE INSTRUCTIONS.

Important safety instructions for battery cartridge

1. Before using battery cartridge, read all instructions and cautionary markings on (1) battery charger, (2) battery, and (3) product using battery.
2. Do not disassemble battery cartridge.
3. If operating time has become excessively shorter, stop operating immediately. It may result in a risk of overheating, possible burns and even an explosion.
4. If electrolyte gets into your eyes, rinse them out with clear water and seek medical attention right away. It may result in loss of your eyesight.
5. Do not short the battery cartridge:
 - (1) Do not touch the terminals with any conductive material.
 - (2) Avoid storing battery cartridge in a container with other metal objects such as nails, coins, etc.
 - (3) Do not expose battery cartridge to water or rain.
 A battery short can cause a large current flow, overheating, possible burns and even a breakdown.
6. Do not store the tool and battery cartridge in locations where the temperature may reach or exceed 50 °C (122 °F).
7. Do not incinerate the battery cartridge even if it is severely damaged or is completely worn out. The battery cartridge can explode in a fire.
8. Be careful not to drop or strike battery.
9. Do not use a damaged battery.
10. The contained lithium-ion batteries are subject to the Dangerous Goods Legislation requirements.

For commercial transports e.g. by third parties, forwarding agents, special requirement on packaging and labeling must be observed.

For preparation of the item being shipped, consulting an expert for hazardous material is required. Please also observe possibly more detailed national regulations.

Tape or mask off open contacts and pack up the battery in such a manner that it cannot move around in the packaging.
11. Follow your local regulations relating to disposal of battery.
12. Use the batteries only with the products specified by Makita. Installing the batteries to non-compliant products may result in a fire, excessive heat, explosion, or leak of electrolyte.

SAVE THESE INSTRUCTIONS.

⚠ CAUTION: Only use genuine Makita batteries. Use of non-genuine Makita batteries, or batteries that have been altered, may result in the battery bursting causing fires, personal injury and damage. It will also void the Makita warranty for the Makita tool and charger.

Tips for maintaining maximum battery life

1. Charge the battery cartridge before completely discharged. Always stop tool operation and charge the battery cartridge when you notice less tool power.
2. Never recharge a fully charged battery cartridge. Overcharging shortens the battery service life.
3. Charge the battery cartridge with room temperature at 10 °C - 40 °C (50 °F - 104 °F). Let a hot battery cartridge cool down before charging it.
4. Charge the battery cartridge if you do not use it for a long period (more than six months).

FUNCTIONAL DESCRIPTION

⚠ CAUTION:

- Always be sure that the tool is switched off and the battery cartridge is removed before adjusting or checking function on the tool.
- Take care not to trap finger(s) between cleaner and battery as shown in diagram when loading battery. Trapping finger(s) may cause injury.

► Fig.1

Installing or removing battery cartridge

► Fig.2: 1. Red indicator 2. Button 3. Battery cartridge

⚠ CAUTION:

- Always switch off the tool before installing or removing of the battery cartridge.
- **Hold the tool and the battery cartridge firmly when installing or removing battery cartridge.** Failure to hold the tool and the battery cartridge firmly may cause them to slip off your hands and result in damage to the tool and battery cartridge and a personal injury.

To remove the battery cartridge, slide it from the tool while sliding the button on the front of the cartridge. To install the battery cartridge, align the tongue on the battery cartridge with the groove in the housing and slip it into place. Insert it all the way until it locks in place with a little click. If you can see the red indicator on the upper side of the button, it is not locked completely.

⚠ CAUTION:

- Always install the battery cartridge fully until the red indicator cannot be seen. If not, it may accidentally fall out of the tool, causing injury to you or someone around you.
- Do not install the battery cartridge forcibly. If the cartridge does not slide in easily, it is not being inserted correctly.

Battery protection system

The cleaner is equipped with the protection system, which automatically cuts off the output power for its long service life. The cleaner stops during operation when the cleaner and/or battery are placed under the following situation. This is caused by the activation of protection system and does not show the cleaner trouble.

- When the cleaner is overloaded:
At this time, release the switch trigger and remove causes of overload and then pull the switch trigger again to restart.
- When the remaining battery capacity gets low:
Recharge the battery cartridge.

Switch action

► Fig.3: 1. OFF button 2. HIGH/LOW button 3. Battery power lamp

To start the cleaner, simply press the "HIGH/LOW" button. To switch off, press the "OFF" button. To change the cleaner speed, press the "HIGH/LOW" button. The first press on this button is for high speed and the second press for low speed and then each press on this button repeats the high/low speed cycle alternatively.

Lighting the lamp

For Model DCL182F only

⚠ CAUTION:

- Never look into the light directly. Direct light causes damage to your eyes.

► Fig.4: 1. OFF button 2. HIGH/LOW button 3. Battery power lamp 4. Lamp


















To turn on the lamp, simply press the "HIGH/LOW" button. To turn off the lamp, press the "OFF" button.

Indicating the remaining battery capacity

Only for battery cartridges with the indicator

► Fig.5: 1. Indicator lamps 2. Check button

Press the check button on the battery cartridge to indicate the remaining battery capacity. The indicator lamps light up for a few seconds.

Indicator lamps			Remaining capacity
 Lighted	 Off	 Blinking	
			75% to 100%
			50% to 75%
			25% to 50%
			0% to 25%
			Charge the battery.
			The battery may have malfunctioned.
			

NOTE: Depending on the conditions of use and the ambient temperature, the indication may differ slightly from the actual capacity.

Battery power lamp

- **Fig.6:** 1. OFF button 2. HIGH/LOW button
3. Battery power lamp
- When the remaining battery capacity gets low, the battery power lamp blinks.
 - When the remaining battery capacity gets much lower, the tool stops during operation and the battery power lamp lights up for about ten seconds. At this time, remove the battery cartridge from the tool and charge it.

NOTE:

- The time at which the battery power lamp start blinking or lighting up depends on the temperature at work place and the battery cartridge conditions.

ASSEMBLY

CAUTION:

- Always be sure that the tool is switched off and the battery cartridge is removed before carrying out any work on the tool.

Disposing of Dust

CAUTION:

- Empty the cleaner before it becomes too full, or the suction force weakens.
- Be sure to empty out the dust inside the cleaner itself. Failure to do so may cause the sponge filter to be clogged or the motor to be damaged.
- Never throw away the dust stopper because it should be used whenever either the dust bag or the paper pack is used.

- **Fig.7:** 1. Front cover 2. Button

1. Push the button to open the front cover. Opening it until a click is heard allows a positive stop at that position.

- **Fig.8:** 1. Front cover 2. Front cover joint

NOTE:

- The cleaner is constructed in such a way that the front cover comes off when trying to force the front cover open at the angle of more than 90°. If the front cover comes off, insert it into the front cover joint in place.

CAUTION:

- When closing the front cover, be careful not to pinch your fingers.

- **Fig.9:** 1. Dust stopper

2. Pull out both the orange-colored dust stopper and dust bag together at the same time.

- **Fig.10:** 1. Dust stopper

- **Fig.11**

3. Remove the dust stopper and empty the cleaner.

Dust bag and paper pack

Install either dust bag or paper pack before using cleaner. Use the dust stopper when installing either dust bag or paper pack.

The dust bag can be used repeatedly by cleaning it out. Paper pack is a throw-away type. Throw away the entire paper pack without emptying when it has become full.

Installing dust bag

- **Fig.12:** 1. Upper side of dust stopper 2. Lower side of dust stopper

Use the dust stopper when installing dust bag. Be careful not to take the upper side for the lower side by mistake because they are different each other.

- **Fig.13:** 1. Dust stopper 2. Groove 3. Dust bag

1. Insert the protrusion of the dust bag into the groove in the dust stopper as shown in the figure.

- **Fig.14:** 1. Lower groove

2. There is no distinction between the upper and lower sides of the dust bag. You may insert its protrusion of any side into the lower groove of the dust stopper.

- **Fig.15**

3. Overlap the frame of dust stopper with that of the dust bag.

- **Fig.16:** 1. Cleaner cavity

4. Place the dust stopper and the dust bag together into the cleaner cavity in the same direction of arrow on the dust stopper. Insert them all the way into the slots in the cleaner cavity.

- **Fig.17**

5. Place the entire cloth part of the dust bag inside the tool itself.

- **Fig.18:** 1. Front cover

6. Close the front cover completely.

Installing the paper pack

- **Fig.19**

1. Unfold the entrance of the paper pack before setting it on the dust stopper.

- **Fig.20:** 1. Upper side of dust stopper 2. Lower side of dust stopper

Use the dust stopper also when installing paper pack. Be careful not to take the upper side for the lower side by mistake because they are different each other.

- **Fig.21:** 1. Dust stopper 2. Paper pack 3. Groove

2. Insert the protrusion of the paper pack into the groove in the dust stopper as shown in the figure.

- **Fig.22:** 1. Lower groove

3. There is no distinction between the upper and lower sides of the paper pack. You may insert its protrusion of any side into the lower groove of the dust stopper.

- **Fig.23**

4. Overlap the frame of dust stopper with that of the paper pack.

- **Fig.24:** 1. Cleaner cavity

5. Place the dust stopper and the paper pack together into the cleaner cavity in the same direction of arrow on the dust stopper. Insert them all the way into the slots in the cleaner cavity.

► Fig.25

- Place the entire container part of the paper pack inside the tool itself.
- Close the front cover completely.

⚠ CAUTION:

- Forgetting to install the dust bag or the paper pack, failure to insert the dust stopper together with the dust bag or the paper pack all the way into the slots or using a broken or ripped bag, may allow dust to get into the motor. This may result in motor failure.
- Do not fold the cardboard at its opening when installing the paper pack.
- Never throw away the dust stopper because it needs to be used repeatedly whenever either the dust bag or the paper pack is used.
- The paper pack for the cleaner is an important component for maintaining the tool performance. Using other than the genuine paper pack may cause smokes or ignition.

OPERATION

⚠ CAUTION:

- To connect attachments, such as nozzle, twist-insert attachment in direction of arrow to ensure secure connection during use. To disconnect attachment, twist-extract also in direction of arrow.

► Fig.26

Cleaning (Suction)

Nozzle

Attach the nozzle to clean off tables, desks, furniture, etc. Nozzle slips on easily.

► Fig.27: 1. Nozzle

Nozzle + Extension wand (Straight pipe)

The extension wand fits in between the nozzle and the cleaner itself. This arrangement is convenient for cleaning a floor while standing erect.

► Fig.28: 1. Cleaner body 2. Extension wand
3. Nozzle

Corner nozzle

Fit on the corner nozzle for cleaning corners and crevices of a car or furniture.

► Fig.29: 1. Cleaner body 2. Corner nozzle

Corner nozzle +Extension wand (Straight pipe)

In tight quarters where the cleaner itself cannot squeeze in, or in high places hard to reach, use this arrangement.

► Fig.30: 1. Cleaner body 2. Extension wand
3. Corner nozzle

Cleaning without nozzle

You can pick up powder and dust without nozzle.

► Fig.31

MAINTENANCE

⚠ CAUTION:

- Always be sure that the tool is switched off before attempting to perform inspection or maintenance.

After use

NOTE:

- Putting the cleaner against the wall without any other support cause the cleaner to fall down and be damaged.

► Fig.32

Cleaning

► Fig.33

From time to time wipe off the outside (cleaner body) of the cleaner using a cloth dampened in soapy water. Clean out also the suction opening, dust bag/paper pack mounting area and the dust stopper.

⚠ CAUTION:

- Never use gasoline, benzine, thinner, alcohol or the like. Discoloration, deformation or cracks may result.

► Fig.34

Wash the dust bag in soapy water when it is clogged with dust and the cleaner power becomes small. Dry it out thoroughly before use. An insufficiently dried bag may cause poor suction and shorten the service life of the motor.

NOTE:

- Paper pack is a throw-away type.

When the sponge filter is clogged with dust, remove it from the cleaner and then wipe it off or wash in water.

Removing and installing the sponge filter

► Fig.35: 1. Sponge filter

To remove the sponge filter, remove the dust bag or paper pack and then pinch and take it out.

► Fig.36: 1. Recessed wall

Press in the whole edge of the sponge filter against the recessed wall inside the dust bag/paper pack mounting area.

⚠ CAUTION:

- After cleaning sponge filter, be sure to install it on the cleaner. If washed in water, dry it up before installing. An insufficiently dried sponge filter may shorten the service life of the motor.

Wall mount for cordless cleaner

Optional accessory

NOTE: The screw to mount the holder is not included. Prepare a screw which fits with the material to screw into.

Attach the wall mount for cordless cleaner to a hard wooden wall, beam or column, where the wall mount for cordless cleaner can be firmly secured. Always be sure that the wall mount for cordless cleaner is securely attached before hanging the cleaner.

► **Fig.37:** 1. Wall mount for cordless cleaner

CAUTION: Do not hang the cleaner to the wall mount violently or hang other appliances than the cleaner.

Things to Check Before Asking for Repairs

Symptom	Area to be investigated	Fixing method
Weak suction power	Is dust bag or paper pack full of dust ?	Empty dust bag or paper pack.
	Is dust bag clogged ?	Dust down or wash the dust bag.
	Is paper pack clogged ?	Replace paper pack.
	Is battery cartridge exhausted ?	Charge the battery cartridge.
Not working	Is battery cartridge exhausted ?	Charge the battery cartridge.

NOTE:

- Do not attempt to repair cleaner by yourself.

To maintain product SAFETY and RELIABILITY, repairs, any other maintenance or adjustment should be performed by Makita Authorized Service Centers, always using Makita replacement parts.

OPTIONAL ACCESSORIES

CAUTION:

- These accessories or attachments are recommended for use with your Makita cleaner specified in this manual. The use of any other accessories or attachments might present a risk of injury to persons. Only use accessory or attachment for its stated purpose.

If you need any assistance for more details regarding these accessories, ask your local Makita Service Center.

- Extension wand (Straight pipe)
- Nozzle
- Nozzle for carpet
- Shelf brush
- Corner nozzle
- Round brush
- Flexible hose
- Paper pack
- Wall mount for cordless cleaner
- Makita genuine battery and charger

NOTE:

- Some items in the list may be included in the tool package as standard accessories. They may differ from country to country.

ПОПЕРЕДЖЕННЯ

Цей прилад дозволяється використовувати дітям віком від 8 років або старше, а також особам з обмеженими фізичними, сенсорними або розумовими здібностями та особам з недостатнім досвідом і знаннями, якщо за ними встановлений нагляд або їм були надані інструкції стосовно безпечного використання цього приладу та вони усвідомлюють потенційну небезпеку від його використання. Дітям не дозволяється грати з цим приладом. Дітям не дозволяється виконувати чищення або проводити технічне обслуговування приладу без нагляду дорослих.

ТЕХНІЧНІ ХАРАКТЕРИСТИКИ

Модель		DCL142	DCL182	DCL182F
Потужність	з мішком для пилу	0,50 л		
	з паперовим пакетом для пилу	0,33 л		
Безперервне використання	Швидко	Прибл. 20 хв		
	Повільно	Прибл. 40 хв		
Загальна довжина		986 мм	1004 мм	
Чиста вага		1,3 кг		
Номінальна напруга		14,4 В пост. Тока	18 В пост. Тока	

- Через те, що ми не припиняємо програми досліджень і розвитку, наведені тут технічні характеристики можуть бути змінені без попередження.
- Технічні характеристики приладу та касета з акумулятором можуть відрізнятися в різних країнах.
- Вага разом з касетою з акумулятором відповідно до EPTA-Procedure 01/2003

Символи

Далі наведені символи, які застосовуються для позначення обладнання. Перед користуванням переконайтеся, що Ви розумієте їхнє значення.



Прочитайте інструкцію з експлуатації.



Тільки для країн ЄС
Не викидайте електроприлади або акумуляторні батареї разом із побутовим сміттям!
Згідно з Європейськими директивами про утилізацію електричного та електронного обладнання та про утилізацію батарей та акумуляторів і батарей та акумуляторів, термін служби яких закінчився, та їх використанням із дотриманням національних законів, електричне обладнання, батареї та акумулятори, термін служби яких закінчився, потрібно збирати окремо та відправляти на екологічно чисті підприємства з їхньої переробки.

Призначення

Інструмент призначено для збирання сухого пилу.

ВАЖЛИВО

ПРАВИЛА ТЕХНІКИ БЕЗПЕКИ

Під час використання електроприладу слід обов'язково вживати основних заходів безпеки, які включають таке:

ПЕРЕД ВИКОРИСТАННЯМ ЦЬОГО ПРИЛАДУ ОЗНАЙОМТЕСЯ З УСІМА ІНСТРУКЦІЯМИ.

ПОПЕРЕДЖЕННЯ – Щоб уникнути ризику виникнення пожежі, ураження електричним струмом або отримання травми:

1. **Не залишайте інструмент під дощем. Зберігайте інструмент у приміщенні.**
2. **Не допускайте, щоб діти гралися з пилососом. Потрібно бути пильним, якщо пилосос використовується дітьми або поблизу від них.**
3. **Використовуйте лише у відповідності з цією інструкцією. Використовуйте лише рекомендоване виробником допоміжне обладнання.**

4. Не використовуйте, якщо акумулятор пошкоджений. Якщо пристрій не працює належним чином, його упустили, пошкодили, залишили під дощем або упустили у воду, його слід відправити до сервісного центру.
5. Не торкайтеся приладу мокрими руками.
6. Не встромляйте жодних предметів в отвори. Не використовуйте виріб із заблокованими отворами; не допускайте їх блокування пилом, пухом, волоссям або чимось іншим, що може знизити потік повітря.
7. Будьте обережні, щоб волосся, просторий одяг, а також пальці та інші частини тіла не потрапили до отворів та рухомих частин приладу.
8. Перед зніманням акумулятора вимикайте всі елементи керування.
9. Будьте особливо обережні під час прибирання на сходах.
10. Уникайте потрапляння на прилад займистих або пальних рідин, наприклад, бензину, та не використовуйте його в місцях, де вони застосовуються.
11. Для перезаряджання акумулятора використовуйте тільки зарядний пристрій, що постачається виробником.
12. Уникайте контакту приладу з усіма речовинами та предметами, що горять або димлять, наприклад, цигарками, сірниками або гарячим попелом.
13. Не використовуйте без встановлених фільтрів.
14. Перезаряджайте акумулятор тільки у приміщенні.

Використання та обслуговування акумуляторних інструментів

15. Акумулятор слід заряджати тільки зарядним пристроєм, що зазначений виробником. Зарядний пристрій, що підходить до одного типу акумуляторів, може створити ризик пожежі у разі його використання з іншим акумуляторним блоком.
16. Слід застосовувати акумуляторні блоки тільки спеціально визначені для цих електричних інструментів. Використання будь-яких інших акумуляторних блоків може створити ризик поранення та пожежі.
17. Коли акумулятор не використовується, тримайте його подалі від таких металевих предметів, як скріпки, монети, ключі, цвяхи, гвинти тощо, які можуть закоротити клеми акумулятора.
18. За неналежних умов зберігання з акумулятора може витекти рідина, контакту з якою слід уникати. У разі випадкового потрапляння рідини на тіло відповідну частину тіла слід промити водою.

ЗБЕРІГАЙТЕ ЦІ ВКАЗІВКИ.

Цей прилад призначений тільки для побутового використання.

ДОДАТКОВІ ПРАВИЛА БЕЗПЕКИ

1. Перед використанням уважно прочитайте цю інструкцію, а також інструкцію до зарядного пристрою.
2. Уникайте таких речовин та предметів, як:
 - Гарячі речовини та предмети, наприклад, запалені сигарети або іскри/металевий пил, що утворюються під час шліфування/різання металу
 - Займисті речовини, наприклад, газолін, розчинники, бензин, керосин або фарби
 - Вибухові речовини, наприклад, нітрогліцерин
 - Займисті речовини, наприклад, алюміній, цинк, магній, титан, фосфор або целулоїд
 - Вологий бруд, вода, мастило та подібні речовини
 - Тверді предмети з гострими кутами, наприклад, тріска, метали, каміння, скло, цвяхи, шпильки або бритви
 - Порошок або грудки, наприклад цемент або тонер
 - Електропровідний пил, наприклад, металевий або вугільний пил
 - Дрібні частки, наприклад, бетонний пил
 Інакше це може призвести до пожежі, травми або пошкодження майна.
3. Негайно зупинити інструмент якщо вам здалося щось ненормальне в роботі пили.
4. У разі, якщо очищувач було упущено або вдарено, перед подальшим використанням його слід ретельно перевірити на наявність тріщин або пошкоджень.
5. Заборонено підносити інструмент близько до плит або інших джерел тепла.
6. Заборонено блокувати забірний або вентиляційні отвори.

ЗБЕРІГАЙТЕ ЦІ ВКАЗІВКИ.

Важливі інструкції з безпеки для касети з акумулятором

1. Перед тим як користуватися касетою з акумулятором, слід прочитати всі інструкції та застережні знаки щодо (1) зарядного пристрою акумулятора, (2) акумулятора та (3) виробів, що працюють від акумулятора.
2. Не слід розбирати касету з акумулятором.
3. Якщо період роботи дуже покоротшав, слід негайно припинити користування. Це може призвести до виникнення ризику перегріву, опіку та навіть вибуху.
4. У разі потрапляння електричності в очі слід промити їх чистою водою та негайно звернутися до лікаря. Це може призвести до втрати зору.
5. Не закоротіть касету з акумулятором.
 - (1) Не слід торкатися клем будь-яким струмопровідним матеріалом.
 - (2) Не слід зберігати касету з акумулятором у ємності з іншими металевими предметами, такими як цвяхи, монети тощо.
 - (3) Не залишайте касету з акумулятором під дощем, запобігайте контакту з водою.

Коротке замикання може призвести до появи значного струму, перегріву, можливих опіків та навіть виходу з ладу.

- Не слід зберігати інструмент та касету з акумулятором в місцях, де температура може сягнути чи перевищити 50°C (122°F).
- Не слід спалювати касету з акумулятором, навіть якщо вона була неодноразово пошкоджена або повністю спрацьована. Касета з акумулятором може вибухнути у вогні.
- Не слід кидати або ударяти акумулятор.
- Не слід використовувати пошкоджені акумулятори.
- Літій-іонні акумулятори, що містяться в інструменті, мають відповідати вимогам законів про небезпечні товари.

Під час транспортування за допомогою комерційних перевезень, наприклад із залученням третьої сторони та експедиторів, необхідно дотримуватись особливих вимог, вказаних на пакуванні й у маркуванні.

Під час підготування позиції до відправлення необхідно проконсультуватись зі спеціалістом з небезпечних матеріалів. Крім того, слід виконувати більш докладні національні настанови, якщо такі є.

Заклейте відкриті контакти стрічкою або заховайте їх і запакуйте акумулятор таким чином, щоб він не міг рухатися в пакуванні.

- Дотримуйтеся норм місцевого законодавства щодо утилізації акумуляторів.
- Використовуйте акумулятори лише з виробами, указаними компанією Makita. Установлення акумуляторів у невідповідні виробу може призвести до пожежі, надмірного нагрівання, вибуху чи витоку електроліту.

ЗБЕРІГАЙТЕ ЦІ ВКАЗІВКИ.

⚠ОБЕРЕЖНО: Використовуйте тільки акумулятори Makita. Використання акумуляторів, інших ніж оригінальні акумулятори Makita, або акумуляторів, конструкцію яких було змінено, може призвести до вибуху акумулятора і спричинити пожежу, травму або пошкодження. У зв'язку з цим також буде анульовано гарантію Makita на інструмент Makita і на зарядний пристрій.

Поради з забезпечення максимального строку експлуатації акумулятора

- Касету з акумулятором слід заряджати до того, як він розрядиться повністю. Завжди слід зупинити роботу інструмента та зарядити акумулятор, якщо ви помітили зменшення потужності інструмента.
- Ніколи не слід заряджати повторно повністю заряджену касету з акумулятором. Перезарядження скорочує строк експлуатації акумулятора.
- Заряджайте касету з акумулятором при кімнатній температурі 10°C—40°C (50°F—104°F). Перед тим як заряджати касету з акумулятором, слід зачекати, доки вона охолоне.
- Якщо касета з акумулятором не використовувалася тривалий час (понад шість місяців), її слід зарядити.

ІНСТРУКЦІЯ З ВИКОРИСТАННЯ

⚠ОБЕРЕЖНО:

- Завжди перевіряйте, щоб прилад був вимкнений, а касета з акумулятором була знята, перед регулюванням або перевіркою функціонування інструмента.
- Заряджаючи касету з акумулятором, будьте обережні, щоб між очищувачем та акумулятором не потрапив(ли) палець(ці), як показано на малюнку. Защемлення пальця(ів) може призвести до травм.

► Рис.1

Встановлення та зняття касети з акумулятором

► Рис.2: 1. Червоний індикатор 2. Кнопка 3. Касета з акумулятором

⚠ОБЕРЕЖНО:

- Завжди вимикайте інструмент перед встановленням або зніманням касети з акумулятором.
- Під час встановлення або зняття касети з акумулятором надійно утримуйте інструмент і касету з акумулятором. Інакше інструмент або касета з акумулятором можуть вислизнути з рук, що може призвести до травм або пошкодження інструмента й касети з акумулятором.

Щоб зняти касету з акумулятором, слід витягнути її з інструмента, натиснувши на кнопку в передній частині касети. Щоб установити касету з акумулятором, слід сумістити шпонку касети з акумулятором із пазом у корпусі та вставити касету на місце. Уставляйте її, доки не почуєте клацання. Якщо на верхній частині кнопки видно червоний індикатор, це означає, що вона заблокована не повністю.

⚠ОБЕРЕЖНО:

- Завжди уставляйте касету повністю, аж поки червоний індикатор стане невидимим. Якщо цього не зробити, касета може випадково випасти з інструмента та завдати травми вам або людям, що знаходяться поруч.
- Не встановлюйте касету з акумулятором із зусиллям. Якщо касета не вставляється легко, то це означає, що Ви її невірно вставляєте.

Система захисту акумулятора

Пилосос оснащений системою захисту, яка автоматично вимикає живлення на виході задля забезпечення тривалого експлуатаційного ресурсу. Пилосос зупиняється під час роботи, якщо він та/або акумулятор опиняються в такій ситуації. Це є наслідком активації системи захисту і не вказує на несправність.

- При перенавантаженні пилососа:
У цей час відпустіть курок вмикача та нейтралізуйте причину перенавантаження, потім знову натисніть на курок вмикача для повторного запуску.
- При замалому ресурсі акумулятора:
Перезарядіть акумулятор.

Дія вимикача

► **Рис.3:** 1. Кнопка ВИМК 2. Кнопка "ВИСОКА/НИЗЬКА" 3. Лампа акумулятора

Для того щоб запустити пиросос, просто натисніть на кнопку "HIGH/LOW" [ВИСОКА/НИЗЬКА]. Щоб вимкнути, натисніть на кнопку "OFF" [ВИМК]. Щоб змінити швидкість роботи пирососа, натисніть на кнопку "HIGH/LOW" [ВИСОКА/НИЗЬКА]. Перше натиснення на цю кнопку вмикає високу швидкість, друге – низьку швидкість, після чого кожне натиснення на цю кнопку попеременно повторює цикл високої/низької швидкості.

Увімкнення лампи

Тільки для моделі DCL182F

⚠ОБЕРЕЖНО:

- Ніколи не дивіться прямо на світло. Пряме світло завдасть шкоди Вашим очам.










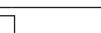


► **Рис.4:** 1. Кнопка ВИМК 2. Кнопка "ВИСОКА/НИЗЬКА" 3. Лампа акумулятора 4. Ліхтар

Щоб увімкнути лампу, просто натисніть кнопку HIGH/LOW [ВИСОКА/НИЗЬКА]. Щоб вимкнути лампу, натисніть кнопку OFF [ВИМК].

Відображення залишкового заряду акумулятора

Тільки для касет з акумулятором, які мають індикатори

► **Рис.5:** 1. Індикаторні лампи 2. Кнопка перевірки
Натисніть кнопку перевірки на касеті з акумулятором для відображення залишкового ресурсу акумулятора. Індикаторні лампи загоряються на кілька секунд.

Індикаторні лампи			Залишковий ресурс
			
			від 75 до 100%
			від 50 до 75%
			від 25 до 50%
			від 0 до 25%
			Зарядіть акумулятор.
			Можливо, акумулятор вийшов з ладу.
			

ПРИМІТКА: Залежно від умов використання та температури оточуючого середовища показання можуть незначним чином відрізнятися від дійсного ресурсу.

Лампа акумулятора

► **Рис.6:** 1. Кнопка ВИМК 2. Кнопка "ВИСОКА/НИЗЬКА" 3. Лампа акумулятора

- Коли потужність акумулятора знижується, починає мигати лампа акумулятора.
- Коли потужність акумулятора стає зовсім низькою, інструмент зупиняється під час роботи, а лампа акумулятора загоряється приблизно на десять секунд. У такому випадку зніміть касету з акумулятором з інструмента та зарядіть акумулятор.

ПРИМІТКА:

- Час, коли лампа акумулятора загоряється або починає мигати, залежить від температури на робочому місці та від стану касети з акумулятором.

КОМПЛЕКТУВАННЯ

⚠ОБЕРЕЖНО:

- Завжди перевіряйте, щоб прилад був вимкнений, а касета з акумулятором була знята, перед тим, як проводити будь-які роботи на інструменті.

Видалення пилу

⚠ОБЕРЕЖНО:

- Очищувач слід спорожнювати до того, як він буде повністю заповнений, інакше буде послаблено силу всмоктування.
- Слід також переконавшись, що пил був вичищений безпосередньо зсередини очищувача. Якщо цього не зробити, може засмітитись губчатий фільтр або пошкодитись мотор.
- Ніколи не викидайте протипилову заслінку, оскільки її можна використовувати або з мішком для пилу, або з паперовим пакетом.

► **Рис.7:** 1. Титульний лист 2. Кнопка

1. Натисніть на кнопку, щоб відкрити передню кришку. Її слід відкрити до упору, доки не почується щиклик; це зафіксує кришку у відкритому положенні.

► **Рис.8:** 1. Титульний лист 2. З'єднання передньої кришки

ПРИМІТКА:

- Очищувач має таку конструкцію, що передня кришка від'єднується від корпусу, якщо намагатися відкрити її під кутом більше 90°. Якщо передня кришка від'єдналась від корпусу, встановіть її назад у з'єднання.

⚠ОБЕРЕЖНО:

- Закриваючи передню кришку, слід бути обережним, щоб не защемити пальці.

► **Рис.9:** 1. Пилова заслінка

2. Витягніть одночасно жовтогарячу пилову заслінку та мішок для пилу.

► **Рис.10:** 1. Пилова заслінка

► **Рис.11**

3. Зніміть пилову заслінку та спорожніть очищувач.

Мішок та паперовий пакет для пилу

Перед використанням очищувача встановіть мішок або паперовий пакет для пилу.

Під час встановлення мішка або паперового пакета для пилу використовуйте пилову заслінку.

Мішок для пилу можна використовувати повторно після спорожнення й очищення.

Паперовий пакет є одноразовим. Коли паперовий пакет наповнюється, його слід викинути цілком без спорожнення.

Встановлення мішка для пилу

- **Рис.12:** 1. Верхня частина пилової заслінки
2. Нижня частина пилової заслінки

Під час встановлення мішка для пилу слід використовувати заслінку для пилу. Слід бути обережним, щоб не переплутати верхню частину з нижньою, оскільки вони відрізняються.

- **Рис.13:** 1. Пилова заслінка 2. Паз 3. Мішок для пилу

1. Вставте виступ на мішку для пилу в паз в пиловій заслінці, як показано на малюнку.

- **Рис.14:** 1. Нижній паз

2. Між верхньою та нижньою частинами мішку для пилу різниці немає. Виступ можна вставляти в будь-якою частиною в нижній паз пилової заслінки.

- **Рис.15**

3. Слід накласти раму пилової заслінки на раму мішка для пилу.

- **Рис.16:** 1. Порожнина очищувача

4. Встановіть пилову заслінку та мішок для пилу разом в порожнину очищувача відповідно із напрямком, вказаним стрілкою на заслінці. Повністю вставте їх в пази в порожнині очищувача.

- **Рис.17**

5. Повністю розташуйте тканинну частину мішка для пилу всередині інструмента.

- **Рис.18:** 1. Титульний лист

6. Повністю закрийте передню кришку.

Встановлення паперового пакета

- **Рис.19**

1. Розгорніть вхідну частину пакета перед його встановленням на пилову заслінку.

- **Рис.20:** 1. Верхня частина пилової заслінки
2. Нижня частина пилової заслінки

Під час установа паперового пакета слід також використовувати протипилову заслінку. Слід бути обережним, щоб не переплутати верхню частину з нижньою, оскільки вони відрізняються.

- **Рис.21:** 1. Пилова заслінка 2. Паперовий пакет 3. Паз

2. Вставте виступ на паперовому пакеті в паз у протипиловій заслінці, як показано на малюнку.

- **Рис.22:** 1. Нижній паз

3. Між верхньою та нижньою сторонами паперового пакета різниці немає. У нижній паз протипилової заслінки можна вставляти виступ на будь-якій стороні.

- **Рис.23**

4. Накладіть раму протипилової заслінки на раму паперового пакета.

- **Рис.24:** 1. Порожнина очищувача

5. Установіть протипилову заслінку та паперовий пакет разом у порожнину пилососа відповідно до напрямку, вказаного стрілкою на протипиловій заслінці. Повністю вставте їх у пази в порожнині пилососа.

- **Рис.25**

6. Повністю розташуйте контейнер паперового пакета всередині приладу.

7. Повністю закрийте передню кришку.

⚠ОБЕРЕЖНО:

- Якщо не встановити мішок для пилу, неповідно вставити в пази пилову заслінку разом із мішком або пакетом для пилу, або використати поламаний або порваний мішок, то це може призвести до попадання пилу в мотор. В результаті мотор може вийти з ладу.
- Не складайте картон та отвір у ньому під час встановлення паперового пакета.
- Ніколи не викидайте протипилову заслінку, оскільки вона призначена для багаторазового використання разом із мішком для пилу чи з паперовим пакетом.
- Паперовий пакет для пилу є важливим компонентом, який допомагає підтримувати робочі характеристики очищувача на високому рівні. Використання неоригінального паперового пакету для пилу може призвести до появи диму або до займання.

ЗАСТОСУВАННЯ

⚠ОБЕРЕЖНО:

- Щоб приєднати приладдя, наприклад, штуцер, вставте його, повертаючи у напрямку, показаному стрілкою, щоб забезпечити надійне з'єднання під час використання. Щоб від'єднати приладдя, витягніть його, повертаючи також у напрямку, показаному стрілкою.

- **Рис.26**

Чищення (всмоктування)

Штуцер

Для чищення столів, парт, меблів та ін. встановлюйте штуцер. Він легко вдягається.

- **Рис.27:** 1. Штуцер

Штуцер + подовжувач (пряма труба)

Подовжувач вставляється між штуцером та очищувачем. Така конструкція є зручною для чищення підлоги стоячи.

- **Рис.28:** 1. Корпус очищувача 2. Подовжувач 3. Штуцер

Кутовий шуцер

Для чищення кутів та щілин в салоні автомобіля встановіть кутовий шуцер.

► **Рис.29:** 1. Корпус очищувача 2. Кутовий шуцер

Кутовий шуцер + подовжувач (пряма труба)

Цю конструкцію слід використовувати там, де очищувач не може пройти в стислому просторі, або у високих місцях, до яких важко дотягнутись.

► **Рис.30:** 1. Корпус очищувача 2. Подовжувач 3. Кутовий шуцер

Чищення без шуцера

Ви можете збирати пил без шуцера.

► **Рис.31**

ТЕХНІЧНЕ ОБСЛУГОВУВАННЯ

⚠ **ОБЕРЕЖНО:**

- Перед тим, як проводити перевірку або обслуговування, слід завжди перевіряти, щоб інструмент був вимкнений.

Після використання

ПРИМІТКА:

- Якщо розмістити очищувач біля стіни без будь-якої іншої опори, він може впасти і зазнати пошкоджень.

► **Рис.32**

Чищення

► **Рис.33**

Слід періодично протирати зовнішню поверхню (корпус) очищувача ганчіркою, зволоженою мильною водою.

Слід також вичищати отвір усмоктування, ділянку встановлення мішка для пилу / паперового пакета та протипилову заслінку.

⚠ **ОБЕРЕЖНО:**

- Ніколи не використовуйте газолін, бензин, розріджувач, спирт та подібні речовини. Їх використання може призвести до зміни кольору, деформації та появи тріщин.

► **Рис.34**

Коли мішок для пилу засмічується та потужність очищувача зменшується, мішок слід випрати в мильній воді. Перед використанням його слід ретельно висушити. Недостатню висушений мішок може призвести до послаблення всмоктування та скорочення терміну служби мотора.

ПРИМІТКА:

- Паперовий пакет призначений для одноразового використання.

Коли губчатий фільтр засмічується пилом, його слід зняти з очищувача та витерти або вимити у воді.

Зняття та встановлення губчатого фільтра

► **Рис.35:** 1. Губчатий фільтр

Для того щоб зняти губчатий фільтр, слід зняти мішок для пилу або паперовий пакет, а потім заціпнути його й витягнути.

► **Рис.36:** 1. Стінка з западиною

Утисніть увесь край губчатого фільтра в западину на внутрішній стінці на ділянці встановлення мішка для пилу / паперового пакета.

⚠ **ОБЕРЕЖНО:**

- Після чищення губчатого фільтра слід перевірити, щоб він був встановлений на очищувач. У разі промивання водою, перед встановленням його слід просушити. Недостатньо просушений губчатий фільтр може скоротити термін служби мотора.

Настінне кріплення для бездротового пилососа

Додаткове приладдя

ПРИМІТКА: Гвинт для кріплення тримача до комплекту не входить. Виберіть гвинт відповідно до типу матеріалу.

Прикріпіть настінне кріплення для бездротового пилососа до стіни, балки або колони, зроблених із твердої деревини, де можна надійно закріпити бездротовий пилосос. Перед кріпленням пилососа завжди перевіряйте, щоб настінне кріплення для бездротового пилососа було надійно закріплено.

► **Рис.37:** 1. Настінне кріплення для бездротового пилососа

⚠ **ОБЕРЕЖНО:** Вішайте пилосос на настінне кріплення обережно й не вішайте жодних інших пристроїв, окрім пилососа.

Що слід перевірити, перш ніж здавати пристрій до ремонту

Ознака	Ділянка, яку слід обстежити	Спосіб прикріплення
Слабка сила всмоктування	Чи накопичився пил у мішку та паперовому пакеті для пилу?	Спорожніть мішок або паперовий пакет для пилу.
	Чи засмічений мішок для пилу?	Витрусіть пил з мішку для пилу або виперіть його.
	Чи засмічений паперовий пакет для пилу?	Замініть паперовий пакет для пилу.
	Чи розряджений акумулятор?	Зарядіть акумулятор.
Пристрій не працює	Чи розряджений акумулятор?	Зарядіть акумулятор.

ПРИМІТКА:

- Не намагайтеся відремонтувати очищувач самотужки.

Для того, щоб підтримувати БЕЗПЕКУ та НАДІЙНІСТЬ, ремонт, технічне обслуговування або регулювання мають виконувати уповноважені центри обслуговування "Макіта", де використовуються лише стандартні запчастини "Макіта".

ДОДАТКОВЕ ПРИЛАДДЯ

⚠ ОБЕРЕЖНО:

- Це приладдя та допоміжне обладнання рекомендується використовувати з пило-сосом Makita, описаним в цій інструкції. Використання будь-якого іншого приладдя та допоміжного обладнання може становити небезпеку травмування. Використовуйте приладдя та допоміжне обладнання лише за передбаченим призначенням.

У разі необхідності, отримати допомогу в більш детальному ознайомленні з оснащенням звертайтеся до місцевого Сервісного центру "Макіта".

- Подовжувач (пряма труба)
- Штуцер
- Штуцер для килима
- Щітка для полиць
- Кутовий штуцер
- Кругла щітка
- Гнучкий шланг
- Паперовий пакет
- Настінне кріплення для бездротового пирососа
- Оригінальний акумулятор та заряджаючий пристрій Makita

ПРИМІТКА:

- Деякі елементи списку можуть входити до комплекту інструмента як стандартне приладдя. Вони можуть відрізнятися залежно від країни.

OSTRZEŻENIE

Niniejsze urządzenie może być użytkowane przez dzieci w wieku powyżej 8 lat oraz przez osoby niebędące w pełni władz fizycznych, poznawczych i umysłowych lub nieposiadające doświadczenia ani wiedzy, o ile osoba odpowiedzialna za ich bezpieczeństwo zapewni odpowiedni nadzór i przekaze wskazówki dotyczące użytkowania urządzenia oraz zagrożeń z nimi związanych. Urządzenie nie jest przeznaczone do zabawy nim przez dzieci. Czyszczenie oraz konserwacja nie mogą być przeprowadzane przez dzieci bez nadzoru.

SPECYFIKACJE

Model		DCL142	DCL182	DCL182F
Wydajność	z workiem tekstylnym	0,50 l		
	z workiem papierowym	0,33 l		
Praca ciągła	Wysoki	Ok. 20 min		
	Niski	Ok. 40 min		
Długość całkowita		986 mm	1 004 mm	
Ciężar netto		1,3 kg		
Napięcie znamionowe		Prąd stały 14,4 V	Prąd stały 18 V	

- W związku ze stale prowadzonym przez naszą firmę programem badawczo-rozwojowym, niniejsze specyfikacje mogą ulec zmianom bez wcześniejszego powiadomienia.
- W innych krajach urządzenie może mieć odmienne parametry techniczne i może być wyposażone w inny akumulator.
- Waga urządzenia wraz z akumulatorem obliczona zgodnie z procedurą EPTA 01/2003

Symbole

Poniżej pokazano symbole zastosowane na urządzeniu. Przed użyciem należy zapoznać się z ich znaczeniem.



Przeczytać instrukcję obsługi.



Dotyczy tylko państw UE
Nie wyrzucaj urządzeń elektrycznych lub akumulatorów wraz z odpadami z gospodarstwa domowego!
Zgodnie z Europejską Dyrektywą w sprawie zużytego sprzętu elektrycznego i elektronicznego oraz dotyczącą akumulatorów i baterii oraz zużytych akumulatorów i baterii, a także dostosowaniem ich do prawa krajowego, zużyte urządzenia elektryczne, baterie i akumulatory, należy składować osobno i przekazywać do zakładu recyklingu działającego zgodnie z przepisami dotyczącymi ochrony środowiska.

Przeznaczenie

Urządzenie to jest przeznaczone do odsysania suchego pyłu.

WAŻNE

INSTRUKCJE BEZPIECZEŃSTWA

Podczas użytkowania urządzeń elektrycznych należy zachowywać podstawowe środki ostrożności, między innymi:

PRZED UŻYCIEM TEGO URZĄDZENIA NALEŻY PRZECZYTAĆ CAŁĄ INSTRUKCJĘ.

OSTRZEŻENIE – Aby zmniejszyć ryzyko pożaru, porażenia prądem i odniesienia obrażeń ciała:

1. **Chronić przed deszczem. Przechowywać w pomieszczeniu.**
2. **Nie pozwalać dzieciom bawić się urządzeniem. Należy zachować szczególną ostrożność, kiedy odkurzacz jest używany w pobliżu lub przez dzieci.**
3. **Używać tylko zgodnie z niniejszą instrukcją. Należy używać tylko akcesoriów zalecanych przez producenta.**

4. Nie używać urządzenia z uszkodzonym akumulatorem. Jeśli urządzenie nie działa prawidłowo, zostało upuszczone, uszkodzone, pozostawione na zewnątrz lub wpadło do wody, należy je oddać do punktu serwisowego.
 5. Nie wolno obsługiwać urządzenia mokrymi dłońmi.
 6. Nie wkładać żadnych przedmiotów w otwory urządzenia. Nie używać urządzenia z zablokowanymi otworami; usuwać pył, kłaczki, włosy i wszystko, co może ograniczyć przepływ powietrza.
 7. Nie zbliżać włosów, luźnej odzieży, palców i innych części ciała do otworów i ruchomych części.
 8. Przed wyjęciem akumulatora należy wyłączyć wszystkie elementy sterowania.
 9. Zachować szczególną ostrożność podczas sprzątanania na schodach.
 10. Nie używać do zbierania palnych lub łatwopalnych cieczy, takich jak benzyna, ani nie używać w miejscach, gdzie mogą występować.
 11. Akumulator należy ładować wyłącznie przy użyciu ładowarki dostarczonej przez producenta.
 12. Nie zbierać niczego, co się pali lub dymi, na przykład papierosów, zapalek lub gorącego popiołu.
 13. Nie używać bez założonych filtrów.
 14. Nie ładować akumulatora na zewnątrz.
- Użytkowanie narzędzi akumulatorowych i dbałość o nie**
15. Akumulator należy ładować wyłącznie przy użyciu określonej przez producenta ładowarki. Ładowarka przeznaczona do jednego typu akumulatora może stwarzać zagrożenie pożarem, gdy będzie używana do ładowania innego akumulatora.
 16. Do zasilania elektronarzędzi należy używać tylko specjalnie do tego celu przeznaczonych akumulatorów. Używanie innych akumulatorów może grozić wypadkiem lub pożarem.
 17. Gdy akumulator nie jest używany, należy zabezpieczyć go przed kontaktem z metalowymi przedmiotami, takimi jak spinacze, monety, klucze, gwoździe, wkręty itp., które mogą powodować zwarcie styków akumulatora.
 18. W przypadku niewłaściwych warunków eksploatacji może dojść do wycieku elektrolitu z akumulatora. Nie należy go dotykać. W razie przypadkowego kontaktu, należy przemyć skażoną skórę wodą.

ZACHOWAĆ INSTRUKCJE.

Urządzenie jest przeznaczone do zastosowań domowych.

DODATKOWE ZALECENIA DOTYCZĄCE BEZPIECZEŃSTWA

1. Przed rozpoczęciem pracy przeczytaj dokładnie niniejszy podręcznik obsługi oraz podręcznik obsługi ładowarki.

2. Nie wciągając do urządzenia następujących materiałów:
 - Substancji gorących, takich jak zapalony papieros czy iskra/ odblaski powstające w wyniku szlifowania/ cięcia metalu
 - Substancji łatwopalnych, takich jak paliwo, rozpuszczalniki, benzyna, nafta lub farby
 - Materiałów wybuchowych, jak nitrogliceryna
 - Substancji zapalnych, takich jak aluminium, cynk, magnez, tytan, fosfor czy celuloza
 - Błota, wody, oleju itp
 - Elementów twardych o ostrych brzegach, takich jak wióry, metale, kamienie, szkło, gwoździe, kołki czy brzytwa
 - Drobnych pyłów, takich jak cement czy toner drukarki
 - Substancji przewodzących, takich jak opiłki żelaza czy popiół
 - Drobnych cząstek, takich jak pył betonowy
 Takie działania mogą spowodować pożar, obrażenia ciała i/ lub straty materialne.
3. Natychmiast przerwij pracę, jeżeli zauważysz jakąkolwiek nieprawidłowość.
4. Kiedy odkurzacze zostanie upuszczone lub uderzone, to przed uruchomieniem należy sprawdzić, czy nie jest uszkodzony, pęknięty, itd.
5. Nie należy go zbliżać do pieców i innych źródeł ciepła.
6. Nie wolno zakrywać otworu wlotowego, ani otworów odpowietrzających.

ZACHOWAĆ INSTRUKCJE.

Ważne zasady bezpieczeństwa dotyczące akumulatora

1. Przed użyciem akumulatora zapoznać się ze wszystkimi instrukcjami i znakami ostrzegawczymi na (1) ładowarce, (2) akumulatorze i (3) produkcie, w którym będzie używany akumulator.
2. Akumulatora nie wolno rozbierać.
3. Jeśli czas działania uległ znacznemu skróceniu, należy natychmiast przerwać pracę. Może bowiem dojść do przegrzania, ewentualnych poparzeń, a nawet eksplozji.
4. W przypadku przedostania się elektrolitu do oczu, przemyć je czystą wodą i niezwłocznie uzyskać pomoc lekarską. Może on bowiem spowodować utratę wzroku.
5. Nie doprowadzać do zwarcia akumulatora:
 - (1) Nie dotykać styków materiałami przewodzącymi prąd.
 - (2) Unikać przechowywania akumulatora w pojemniku z metalowymi przedmiotami, takimi jak gwoździe, monety itp.
 - (3) Chronić akumulator przed deszczem lub wodą.
 Zwarcie prowadzi do przepływu prądu elektrycznego o dużym natężeniu i przegrzania akumulatora, co w konsekwencji może grozić poparzeniami a nawet awarią urządzenia.

6. Narzędzia i akumulatora nie wolno przechowywać w miejscach, w których temperatura osiąga bądź przekracza 50°C (122°F).
7. Akumulatorów nie wolno spalać, również tych poważnie uszkodzonych lub całkowicie zużytych. Akumulator może eksplodować w ogniu.
8. Chronić akumulator przed upadkiem i uderzeniami.
9. Nie wolno używać uszkodzonego akumulatora.
10. Stanowiące wyposażenie akumulatory litowo-jonowe podlegają przepisom dotyczącym produktów niebezpiecznych.

Na potrzeby transportu komercyjnego, np. świadczonych przez firmy trzecie czy spedycyjne, należy przestrzegać specjalnych wymagań w zakresie pakowania i oznaczania etykietami.

Przygotowanie produktu do wysyłki wymaga skonsultowania się ze specjalistą ds. materiałów niebezpiecznych. Należy także przestrzegać przepisów krajowych, które mogą być bardziej szczegółowe.

Zakleić taśmą lub zaślepić otwarte styki akumulatora oraz zabezpieczyć go, aby nie mógł się przesuwać w opakowaniu.

11. Postępować zgodnie z przepisami lokalnymi dotyczącymi usuwania akumulatorów.
12. Używać akumulatorów tylko z produktami określonymi przez firmę Makita. Zastosowanie akumulatorów w niezgodnych produktach może spowodować pożar, przegrzanie, wybuch lub wyciek elektrolitu.

ZACHOWAĆ NINIEJSZE INSTRUKCJE.

⚠ PRZESTROGA: Używać wyłącznie oryginalnych akumulatorów firmy Makita. Używanie nieoryginalnych akumulatorów firm innych niż Makita lub akumulatorów, które zostały zmodyfikowane, może spowodować wybuch akumulatora i pożar, obrażenia ciała oraz zniszczenie mienia. Stanowi to również naruszenie warunków gwarancji firmy Makita dotyczących narzędzia i ładowarki.

Wskazówki dotyczące zachowania maksymalnej trwałości akumulatora

1. Akumulator należy naładować zanim zostanie do końca rozładowany. Po zauważeniu spadku mocy narzędzia należy przerwać pracę i naładować akumulator.
2. Nie wolno ładować повторно w pełni naładowanego akumulatora. Przeładowanie akumulatora skraca jego trwałość.
3. Akumulator należy ładować w temperaturze pokojowej w przedziale 10–40°C (50–104°F). W przypadku gorącego akumulatora przed przystąpieniem do ładowania należy poczekać, aż ostygnie.
4. Akumulatory niklowo-wodorkowe należy naładować po okresie długiego nieużytkowania (dłuższego niż sześć miesięcy).

OPIS DZIAŁANIA

⚠ PRZESTROGA:

- Przed przystąpieniem do regulacji lub przeglądu narzędzia upewnić się, czy jest ono wyłączone i czy został wyjęty akumulator.
- Należy uważać, aby palce nie uwięzły pomiędzy korpusem odkurzacza a akumulatorem, jak to pokazano na schemacie ładowania akumulatora. Grozi to zranieniem.

► Rys.1

Wkładanie i wyjmowanie akumulatora

► Rys.2: 1. Czerwony wskaźnik 2. Przycisk 3. Akumulator

⚠ PRZESTROGA:

- Przed montażem lub demontażem akumulatora należy wyłączyć narzędzie.
- **Podczas wkładania lub wyjmowania akumulatora należy mocno trzymać narzędzie i akumulator.** W przeciwnym razie mogą one wyslizgnąć się z rąk, powodując uszkodzenie narzędzia lub akumulatora i obrażenia ciała.

Aby wyjąć akumulator, należy przesunąć przycisk znajdujący się w przedniej jego części i wysunąć akumulator. Aby zamontować akumulator, wystarczy wyróżnić występ na akumulatorze z rowkiem w obudowie i wsunąć go na swoje miejsce. Akumulator należy wsuwać do oporu, aż się zablokuje, co jest sygnalizowane delikatnym kliknięciem. Jeśli jest widoczny czerwony wskaźnik w górnej części przycisku, akumulator nie został całkowicie zablokowany.

⚠ PRZESTROGA:

- Należy go zamontować całkowicie, tak aby czerwony wskaźnik nie był widoczny. W przeciwnym razie może przypadkowo wypaść z urządzenia, raniąc operatora lub osoby postronne.
- Nie montować akumulatora na siłę. Jeśli akumulator nie daje się swobodnie wsunąć, prawdopodobnie został włożony nieprawidłowo.

System ochrony akumulatora

Odkurzacz posiada system ochrony, który automatycznie odcina dopływ prądu, przedłużając żywotność urządzenia.

Odkurzacz przerywa pracę w podanych niżej sytuacjach związanych z jego stanem lub stanem akumulatora. Jest to spowodowane przez uruchomienie zabezpieczenia i nie świadczy o żadnej usterce odkurzacza.

- Gdy odkurzacz jest przeciążony:
W takim przypadku należy zwolnić język spustowy i usunąć przyczynę przeciążenia, po czym ponownie pociągnąć za język spustowy, aby uruchomić narzędzie.
- W przypadku niskiego poziomu naładowania akumulatora:
Naładować akumulator.

Włączanie

- **Rys.3:** 1. Przycisk Off 2. Przycisk „HIGH/LOW”
3. Wskaźnik akumulatora

Aby uruchomić odkurzacz, wystarczy nacisnąć przycisk „HIGH/LOW”. Aby go wyłączyć, należy nacisnąć przycisk „OFF”. Aby zmienić prędkość odkurzacza, należy nacisnąć przycisk „HIGH/LOW”. Pierwsze naciśnięcie tego przycisku uruchamia wysoką, a drugie niską prędkość odkurzacza. Każde kolejne naciśnięcie powoduje zmianę prędkości kolejno na wysoką/ niską.

Włączanie lampki

Tylko model DCL182F

⚠ PRZESTROGA:

- Nigdy nie patrzeć bezpośrednio w wiązkę światła. Bezpośrednia wiązka światła może uszkodzić wzrok.

- **Rys.4:** 1. Przycisk Off 2. Przycisk „HIGH/LOW”
3. Wskaźnik akumulatora 4. Lampka

Aby włączyć lampkę, wystarczy nacisnąć przycisk „HIGH/LOW” (wysokie/niskie natężenie). Aby wyłączyć lampkę, nacisnąć przycisk „OFF” (wył).

Wskazanie stanu naładowania akumulatora

Tylko w przypadku akumulatorów ze wskaźnikiem

- **Rys.5:** 1. Lampki wskaźnika 2. Przycisk kontrolny

Nacisnąć przycisk kontrolny na akumulatorze w celu wyświetlenia stanu naładowania akumulatora. Lampki wskaźnika zaświecą się przez kilka sekund.

Lampki wskaźnika			Pozostała energia akumulatora
Świeci się	Wyłączony	Miga	
			75–100%
			50–75%
			25–50%
			0–25%
			Naładować akumulator.
			Akumulator może nie działać poprawnie.

WSKAZÓWKA: Zależnie od warunków użytkowania i temperatury otoczenia, wskazany poziom może nieznacznie się różnić od rzeczywistego stanu naładowania akumulatora.

Wskaźnik akumulatora

- **Rys.6:** 1. Przycisk Off 2. Przycisk „HIGH/LOW”
3. Wskaźnik akumulatora

- W przypadku niskiego poziomu naładowania akumulatora, wskaźnik akumulatora miga.
- Jeśli poziom naładowania jeszcze się obniży, narzędzie przestaje działać, a wskaźnik akumulatora zapala się na około 10 sekund. Należy wtedy wyjąć akumulator z urządzenia i naładować go.

WSKAZÓWKA:

- Czas, w jakim wskaźnik akumulatora zaczyna migać lub zapalać zależy od temperatury w miejscu pracy oraz od stanu akumulatora.

MONTAŻ

⚠ PRZESTROGA:

- Przed przystąpieniem do jakichkolwiek czynności związanych z obsługą narzędzia należy koniecznie upewnić się, czy jest ono wyłączone i czy akumulator został wyjęty.

Usuwanie kurzu

⚠ PRZESTROGA:

- Odkurzacz należy opróżniać zanim się zbyt mocno napełni. Gdyż w przeciwnym razie moc ssania będzie obniżona.
- Najpierw należy koniecznie usunąć pył z wnętrza samego odkurzacza. Bez tego filtr z gąbki może zostać zatkany, a może też uszkodzić się silnik.
- Bariery pyłu nie wolno wyrzucać, gdyż należy je stosować zawsze, zarówno w workiem na pył, jak i workiem papierowym.

- **Rys.7:** 1. Osłona czołowa 2. Przycisk

1. Nacisnąć przycisk, aby otworzyć pokrywę przednią. Otwarcie pokrywy do momentu, gdy rozlegnie się kliknięcie, pozwala zatrzymać ją w tym położeniu.

- **Rys.8:** 1. Osłona czołowa 2. Zaczepy osłony czołowej

WSKAZÓWKA:

- Odkurzacz skonstruowano w taki sposób, że przednia pokrywa odłącza się, jeśli zostanie otwarta pod kątem większym niż 90°. Jeśli przednia pokrywa odłączy się, należy ją umieścić w jej zaczepach.

⚠ PRZESTROGA:

- Zamykając przednią pokrywę należy uważać na palce.

- **Rys.9:** 1. Bariera pyłu

2. Pomarańczowy filtr przeciwpylowy i worek należy wyciągać jednocześnie.

- **Rys.10:** 1. Bariera pyłu

- **Rys.11**

3. Usunąć barierę pyłu i opróżnić odkurzacz.

Worek na pył i papierowy wkład

Zanim zaczniesz używać odkurzacza, zamontuj worek na pył albo papierowy wkład.

Barierę pyłu trzeba używać zarówno z workiem na pył, jak też i z papierowym wkładem.

Worek na pył można czyścić i używać go wielokrotnie. Wkład papierowy jest wyrobem jednorazowym. Kiedy wkład wypełni się, należy go wyrzucić bez opróżniania.

Montaż worka na pył

► **Rys.12:** 1. Górna część bariery pyłu 2. Dolna część bariery pyłu

Wkładając worek na pył należy użyć barierę pyłu. Należy uważać, aby nie pomylić górną część bariery z dolną, gdyż nie są one równe.

► **Rys.13:** 1. Bariera pyłu 2. Bruzda 3. Worek na pył

1. Włóż występ worka na pył w rowek w barierze pyłu, jak na rysunku.

► **Rys.14:** 1. Dolny rowek

2. Nie ma różnicy pomiędzy górną a dolną częścią worka na pył. W dolny rowek bariery pyłu można wsunąć występ po jednej lub drugiej stronie ramki worka.

► **Rys.15**

3. Złóż ze sobą razem ramki bariery pyłu i worka na pył.

► **Rys.16:** 1. Wnęka odkurzacza

4. Włóż - złożone ze sobą - barierę pyłu i worek na pył we wnękę odkurzacza w kierunku strzałek na barierze. Wsuń je całkowicie w szczeliny wewnątrz.

► **Rys.17**

5. Włóż do wnęki całą część worka z tkaniny.

► **Rys.18:** 1. Oslona czołowa

6. Całkowicie zamknąć pokrywę przednią.

Instalowanie wkładu papierowego

► **Rys.19**

1. Przed złożeniem papierowego wkładu z barierą pyłu, należy rozłożyć wlot wkładu.

► **Rys.20:** 1. Górna część bariery pyłu 2. Dolna część bariery pyłu

Barierę pyłu należy używać także, gdy używany jest worek papierowy. Należy uważać, aby nie pomylić górnej strony bariery pyłu z dolną, gdyż nie są one równe.

► **Rys.21:** 1. Bariera pyłu 2. Worek papierowy 3. Bruzda

2. Włożyć występ worka papierowego w rowek w barierze pyłu, jak pokazano na rysunku.

► **Rys.22:** 1. Dolny rowek

3. Nie ma różnicy pomiędzy górną a dolną stroną worka papierowego. W dolny rowek bariery pyłu można wsunąć występ worka znajdujący się z jednej lub drugiej jego strony.

► **Rys.23**

4. Ustawić ramki bariery pyłu i worka papierowego, tak aby zachodziły na siebie.

► **Rys.24:** 1. Wnęka odkurzacza

5. Włożyć barierę pyłu i worek papierowy we wnękę odkurzacza zgodnie z kierunkiem strzałki na barierze pyłu. Włożyć je całkowicie w szczeliny we wnęce odkurzacza.

► **Rys.25**

6. Włożyć do narzędzia całą papierową część worka.

7. Całkowicie zamknąć pokrywę przednią.

PRZESTROGA:

- Pył może się dostawać do silnika jeśli się zapomni zainstalować worek na pył lub wkład papierowy, jeśli nie wsunie się całkowicie w rowki barierę pyłu razem z workiem na pył lub papierowym wkładem, lub jeśli użyje się uszkodzonego, pękniętego worka. Może to spowodować uszkodzenie silnika.
- Instalując papierowy wkład nie wolno zginać kartonowej części przy jego wlocie.
- Bariery pyłu nie wolno wyrzucać, gdyż jest wielorazowego użytku i należy ją stosować zawsze, zarówno z workiem na pył, jak i workiem papierowym.
- Papierowy worek odkurzacza to istotny element utrzymywania urządzenia w dobrym stanie technicznym. Użycie worka papierowego innego niż oryginalny może spowodować dymienie lub zapłon.

DZIAŁANIE

PRZESTROGA:

- Aby podłączyć przystawki, takie jak końcówka, należy przekręcić i wcisnąć przystawkę w kierunku strzałki, aby zapewnić bezpieczne połączenie podczas użytkowania. Aby odłączyć przystawkę, należy przekręcić i wyciągnąć ją w kierunku strzałki.

► **Rys.26**

Odkurzanie (ssanie)

Dysza

Zamontuj tę dyszę, aby odkurzać stoły, biurka, inne meble, itp. Dyszę nasuwa się lekko.

► **Rys.27:** 1. Dysza

Dysza + rura przedłużająca (prosta)

Rurę przedłużającą zakłada się pomiędzy dyszę a sam odkurzacz. Ta kombinacja pozwala wygodnie odkurzanie na stojąco podłogi.

► **Rys.28:** 1. Korpus odkurzacza 2. Rura przedłużająca 3. Dysza

Dysza narożna

Dyszę narożną zakładamy do czyszczenia zakamarków w samochodzie oraz mieszkaniu.

► **Rys.29:** 1. Korpus odkurzacza 2. Dysza narożna

Dysza narożna + rura przedłużająca (prosta)

Tę kombinację można stosować do odkurzania w miejscach ciasnych, gdzie nie zmieści się odkurzacz, albo położonych wysoko.

► **Rys.30:** 1. Korpus odkurzacza 2. Rura przedłużająca 3. Dysza narożna

Czyszczenie bez dyszy

Istnieje możliwość zbierania pyłu i kurzu bez dyszy.

► **Rys.31**

KONSERWACJA

PRZESTROGA:

- Przed przystąpieniem do przeglądu urządzenia lub konserwacji, należy zawsze upewnić się, czy zostało wyłączone.

Po zakończeniu pracy

WSKAZÓWKA:

- Oparcie odkurzacza o ścianę bez żadnego innego podparcia może spowodować jego upadek i uszkodzenie.

► **Rys.32**

Czyszczenie

► **Rys.33**

Od czasu do czasu trzeba przetrzeć korpus odkurzacza ściereczką zwilżoną wodą z mydłem.

Należy także czyścić wlot odkurzacza, okolice worka na pył / worka papierowego oraz bariery pyłu.

PRZESTROGA:

- Nie wolno używać benzyny, benzenu, rozpuszczalnika, alkoholu itp. Substancje takie mogą spowodować odbarwienia, odkształcenia lub pęknięcia.

► **Rys.34**

Kiedy worek na pył się zatyka brudem i kurzem, a moc ssania obniża, należy worek wyprać w wodzie z mydłem. Przed ponownym użyciem worek musi zostać dokładnie wysuszony. Niedokładnie wysuszony worek może powodować słabe ssanie i skrócony okres eksploatacji silnika.

WSKAZÓWKA:

- Worek papierowy jest wyrobem jednorazowym.

Kiedy filtr z gąbki zatka się kurzem, należy go wyjąć z odkurzacza i odczyścić, albo wymyć w wodzie.

Wymywanie i wkładanie filtra z gąbki

► **Rys.35:** 1. Filtr z gąbki

Aby wyjąć filtr z gąbki, należy najpierw wyjąć worek na pył lub worek papierowy, a następnie ścisnąć filtr z gąbki i wyciągnąć.

► **Rys.36:** 1. Wnęka

Docisnąć filtr na całym obwodzie do ścianki wnęki wewnątrz miejsca na worek na pył / worek papierowy.

PRZESTROGA:

- Po oczyszczeniu filtra z gąbki należy pamiętać o ponownym włożeniu go do odkurzacza. Jeśli był myty w wodzie, należy go przed włożeniem wysuszyć. Niedokładnie wysuszony filtr może skrócić okres eksploatacji silnika.

Mocowanie ścienne odkurzacza akumulatorowego

Aksesoria opcjonalne

WSKAZÓWKA: Zestaw nie zawiera wkrętu potrzebnego do zamontowania uchwyty. Należy przygotować wkręt odpowiedni do materiału, w który będzie wkręcany.

Mocowanie ścienne odkurzacza akumulatorowego należy zamontować na twardym drewnianym elemencie konstrukcyjnym — ścianie, belce lub słupie — do którego będzie je można pewnie przytwierdzić. Przed zawieszeniem odkurzacza akumulatorowego zawsze należy upewnić się, że jego mocowanie ścienne jest pewnie przytwierdzone.

► **Rys.37:** 1. Mocowanie ścienne odkurzacza akumulatorowego

PRZESTROGA: Nie należy gwałtownie zawieszać odkurzacza na mocowaniu ściennym ani wieszak na mocowaniu innych urządzeń niż odkurzacz.

Kontrole, które należy przeprowadzić przed oddaniem odkurzacza do naprawy

Objaw	Obszar wymagający kontroli	Metoda montażu
Słaba siła ssania	Czy worek jest pełny kurzu?	Opróżnić worek papierowy lub tekstylny.
	Czy worek tekstylny jest zapchany?	Odkurzyć lub wyprać worek.
	Czy worek papierowy jest zapchany?	Wymienić worek papierowy.
	Czy akumulator jest wyczerpany?	Naładować akumulator.
Nie działa	Czy akumulator jest wyczerpany?	Naładować akumulator.

WSKAZÓWKA:

- Nie wolno próbować samodzielnie naprawić odkurzacza.

Dla zachowania BEZPIECZEŃSTWA i NIEZAWODNOŚCI wyrobu, naprawy oraz inne prace konserwacyjne i regulacyjne powinny być wykonywane przez Autoryzowane Centra Serwisowe Makita, wyłącznie przy użyciu części zamiennych Makita.

AKCESORIA OPCJONALNE

PRZESTROGA:

- Opisany w tej instrukcji odkurzacz Makita można wyposażać w zalecane poniższe akcesoria i przystawki. Stosowanie innych akcesoriów lub przystawek grozi obrażeniami ciała. Akcesoria lub przystawki należy wykorzystywać tylko zgodnie z przeznaczeniem.

W razie potrzeby, wszelkiej pomocy i szczegółowych informacji na temat niniejszych akcesoriów udziela Państwu lokalne Centra Serwisowe Makita.

- Rura przedłużająca (prosta)
- Dysza
- Dysza do odkurzania dywanów
- Szczotka do odkurzania pótek
- Dysza narożna
- Szczotka okrągła
- Elastyczny wąż
- Wkład papierowy
- Mocowanie ścienne odkurzacza akumulatorowego
- Oryginalny akumulator i ładowarka firmy Makita

WSKAZÓWKA:

- Niektóre pozycje znajdujące się na liście mogą być dołączone do pakietu narzędziowego jako akcesoria standardowe. Mogą to być różne pozycje, w zależności od kraju.

AVERTIZARE

Acest aparat poate fi utilizat de copiii cu vârsta de cel puțin 8 ani și de persoanele cu capacități fizice, senzoriale sau mentale reduse, sau lipsite de experiență și cunoștințe doar dacă sunt supravegheate sau au fost instruite cu privire la utilizarea aparatului în siguranță și înțeleg pericolele implicate. Copiii nu au voie să folosească acest aparat ca jucărie. Curățarea și întreținerea nu vor fi efectuate de copii nesupravegheați.

SPECIFICAȚII

Model		DCL142	DCL182	DCL182F
Capacitate	cu un sac de praf	0,50 L		
	cu un sac de hârtie	0,33 L		
Utilizare continuă	Turație înaltă	Aprox. 20 min		
	Turație joasă	Aprox. 40 min		
Lungime totală		986 mm	1.004 mm	
Greutate netă		1,3 kg		
Tensiune nominală		14,4 V cc.	18 V cc.	

- Datorită programului nostru continuu de cercetare și dezvoltare, caracteristicile pot fi modificate fără o notificare prealabilă.
- Specificațiile și ansamblul baterie pot diferi de la țară la țară.
- Greutatea, cu ansamblul baterie, conform procedurii EPTA 01/2003

Simboluri

Mai jos sunt prezentate simbolurile de pe echipament. Asigurați-vă că înțelegeți sensul acestora înainte de utilizare.



Citiți manualul de utilizare.



Doar pentru țările UE
Nu depuneți echipamente electrice sau acumulatorii împreună cu gunoierul menajier!
În conformitate cu Directiva europeană privind deșeurile de echipamente electrice și electronice, bateriile și acumulatorii, precum și bateriile și acumulatorii reziduale și implementarea acestora conform legislației naționale, echipamentele electrice și bateriile și acumulatorii care au ajuns la sfârșitul duratei de viață trebuie colectate separat și reciclate corespunzător în vederea protejării mediului.

Destinația

Mașina este destinată colectării prafului uscat.

IMPORTANT

INSTRUCȚIUNI DE SIGURANȚĂ

Când utilizați un aparat electric, respectați întotdeauna măsurile de precauție de bază, inclusiv următoarele:

CITIȚI TOATE INSTRUCȚIUNILE ÎNAINTE DE A UTILIZA ACEST APARAT.

AVERTISMENT – Pentru a reduce riscul incendiilor, șocului electric sau accidentărilor:

1. **Nu expuneți la ploaie. Depozitați în spații interioare.**
2. **Nu permiteți utilizarea acestuia ca jucărie. Acordați atenție utilizării acestuia de către copii sau în apropierea copiilor.**
3. **Utilizați doar în modul descris în acest manual. Utilizați doar accesoriile recomandate de producător.**
4. **Nu folosiți cu un acumulator uzat. În cazul în care aparatul nu funcționează corespunzător, a suferit șocuri, este deteriorat, a fost depozitat în exterior sau a fost scăpat în apă, returnați-l la un centru service.**

5. Nu manipulați aparatul cu mâinile umede.
 6. Nu introduceți obiecte în orificii. A nu se utiliza cu orificiile blocate; feriți de praf, scame, păr și orice alte materiale care pot obstrucționa fluxul de aer.
 7. Nu vă apropiați părul, hainele largi, degetele și celelalte părți ale corpului de deschideri și de piesele mobile.
 8. Dezactivați toate comenzile înainte de a scoate acumulatorul.
 9. Acordați o atenție specială la curățarea pe trepte.
 10. Nu utilizați la colectarea unor lichide inflamabile sau combustibile, cum ar fi benzina și nu utilizați în zone în care acestea ar putea fi prezente.
 11. Utilizați doar încărcătorul furnizat de producător pentru reîncărcare.
 12. Nu colectați obiecte care ard sau fumează, cum ar fi țigări, chibrituri sau cenușă fierbinte.
 13. Nu utilizați fără filtre montate.
 14. Nu încărcăți acumulatorul în exterior.
- Utilizarea și îngrijirea acumulatorului mașinii**
15. Efectuați reîncărcarea numai cu încărcătorul specificat de producător. Un încărcător adecvat pentru un anumit tip de acumulator poate prezenta risc de incendiu dacă este utilizat cu alt tip de acumulator.
 16. Folosiți mașinile electrice numai cu acumulatorii special destinați acestora. Utilizarea altor acumulatori poate prezenta risc de rănire și de incendiu.
 17. Când nu folosiți acumulatorul, țineți-l la distanță de obiecte metalice precum agrafe de birou, monede, chei, cuie, șuruburi sau alte obiecte metalice mici, ce pot constitui o legătură între cele două borne.
 18. În condiții folosire abuzivă, poate fi eliminat lichid din acumulator; evitați contactul cu acesta. Dacă intrați în contact accidental, clătiți bine cu apă zona afectată.

PĂSTRAȚI ACESTE INSTRUCȚIUNI.

Acest aparat este destinat doar uzului casnic.

NORME SUPPLEMENTARE DE SECURITATE

1. Înainte de utilizare, citiți cu atenție acest manual de instrucțiuni și manualul de instrucțiuni al încărcătorului.
2. Nu aspirați următoarele materiale:
 - Materiale fierbinți, precum țigări aprinse sau praf provenit de la scântei/metal generat de șlefuirea / tăierea metalului
 - Materiale inflamabile precum petrolul, diluant, benzină, kerosen sau vopsea
 - Materiale explosive, cum ar fi nitroglicerina
 - Materiale inflamabile, precum aluminiu, zinc, magneziu, titan, fosfor sau celuloză
 - Murdărie umedă, apă, ulei sau alte lichide

- Obiecte dure cu margini ascuțite, precum așchii de lemn, metale, pietre, sticlă, cuie, ace sau lame
 - Pudră care formează cheag, precum ciment sau toner
 - Praf conductiv, precum praful de metal sau carbon
 - Particule fine, precum praful de beton
- O astfel de acțiune poate cauza incendii, accidente și/sau daune.
3. Întrerupeți lucrul imediat dacă observați orice anomalie.
 4. Dacă scăpați pe jos sau loviți aspiratorul, înainte de utilizare verificați-l cu atenție în privința fisurării sau deteriorării.
 5. Nu țineți în apropierea sobelor sau a altor surse de căldură.
 6. Nu obturați orificiile de admisie sau de ventilație.

PĂSTRAȚI ACESTE INSTRUCȚIUNI.

Instrucțiuni importante privind siguranța pentru cartușul acumulatorului

1. Înainte de a folosi cartușul acumulatorului, citiți toate instrucțiunile și atenționările de pe (1) încărcătorul acumulatorului, (2) acumulator și (3) produsul care folosește acumulatorul.
 2. Nu dezmembrați cartușul acumulatorului.
 3. Dacă timpul de funcționare s-a redus excesiv, întrerupeți imediat funcționarea. Aceasta poate prezenta risc de supraîncălzire, posibile arsuri și chiar explozie.
 4. Dacă electrolitul pătrunde în ochi, clătiți bine ochii cu apă curată și consultați imediat un medic. Există risc de orbire.
 5. Nu scurtcircuitați cartușul acumulatorului:
 - (1) Nu atingeți bornele cu niciun material conductor.
 - (2) Evitați depozitarea cartușului acumulatorului la un loc cu alte obiecte metalice cum ar fi cuie, monede etc.
 - (3) Nu expuneți cartușul acumulatorului la apă sau ploaie.
- Un scurtcircuit al acumulatorului poate provoca un flux puternic de curent electric, supraîncălzire, posibile arsuri și chiar defectarea mașinii.
6. Nu depozitați mașina și cartușul acumulatorului în spații în care temperatura poate atinge sau depăși 50 °C (122 °F).
 7. Nu incinerăți cartușul acumulatorului chiar dacă acesta este grav deteriorat sau complet uzat. Cartușul acumulatorului poate exploda în foc.
 8. Aveți grijă să nu scăpați sau să loviți acumulatorul.
 9. Nu utilizați un acumulator deteriorat.

10. **Acumulatorii Li-Ion încorporați se supun cerințelor Legislației privind substanțele periculoase.**

Pentru transporturi comerciale, efectuate de exemplu de către părți terțe, expeditori, trebuie respectate cerințele speciale de ambalare și etichetare.

Pentru pregătirea articolului care urmează să fie expedit, este necesară consultarea unui expert în materiale periculoase. Vă rugăm să respectați, de asemenea, reglementările naționale, care pot fi mai detaliate.

Izolați sau acoperiți contactele deschise și împachetați acumulatorul în așa fel încât să nu se poată mișca în ambalaj.

11. **Respectați normele naționale privind eliminarea la deșeurii a acumulatorului.**

12. **Utilizați acumulatoroarele numai cu produsele specificate de Makita.** Instalarea acumulatorilor în produse neconforme poate cauza incendii, căldură excesivă, explozii sau scurgeri de electrolit.

PĂSTRAȚI ACESTE INSTRUCȚIUNI.

ATENȚIE: Folosiți numai acumulatori Makita originali. Acumulatorii Makita care nu sunt originali și acumulatorii care au suferit modificări se pot aprinde, provocând incendii, leziuni corporale și daune. De asemenea, anulează garanția oferită de Makita pentru unealta și încărcătorul Makita.

Sfaturi pentru obținerea unei durate maxime de exploatare a acumulatorului

1. **Încărcați cartușul acumulatorului înainte de a se descărca complet.** Întrerupeți întotdeauna funcționarea mașinii și încărcați cartușul acumulatorului când observați o scădere a puterii mașinii.
2. **Nu reîncărcați niciodată un acumulator complet încărcat.** Suprîncărcarea va scurta durata de exploatare a acumulatorului.
3. **Încărcați cartușul acumulatorului la temperatura camerei, între 10 °C - 40 °C (50 °F - 104 °F).** Lăsați un acumulator fierbinte să se răcească înainte de a-l încărca.
4. **Încărcați cartușul acumulatorului în cazul în care nu a fost utilizat pe o perioadă mai lungă (mai mult de șase luni).**

DESCRIERE FUNCȚIONALĂ

ATENȚIE:

- Asigurați-vă întotdeauna că mașina este oprită și cartușul acumulatorului este scos înainte de a ajusta sau verifica funcționarea mașinii.
- Aveți grijă ca la încărcarea bateriei să nu vă prindeți degetul(ele) între aspirator și baterie așa cum se arată în imagine. Prinderea degetului(elor) poate provoca rănirea.

► Fig.1

Instalarea sau scoaterea cartușului acumulatorului

► Fig.2: 1. Indicator roșu 2. Buton 3. Cartușul acumulatorului

ATENȚIE:

- Opriți întotdeauna unealta înainte de montarea sau demontarea cartușului de acumulator.
- **Țineți ferm mașina și cartușul acumulatorului la montarea sau demontarea cartușului.** În caz contrar, acestea vă pot aluneca din mâini, rezultând defectarea lor și posibile accidentări.

Pentru a scoate cartușul acumulatorului, glisați-l din unealtă în timp ce glisați butonul de pe partea frontală a cartușului. Pentru a instala cartușul acumulatorului, aliniați limba de pe cartușul acumulatorului cu canelura din carcasă și introduceți-l în locaș. Introduceți-l complet, până când se încliquează în locaș. Dacă puteți vedea indicatorul roșu din partea superioară a butonului, acesta nu este blocat complet.

ATENȚIE:

- Instalați întotdeauna cartușul acumulatorului complet, până când indicatorul roșu nu mai este vizibil. În caz contrar, acesta poate cădea accidental din mașină provocând rănirea dumneavoastră sau a persoanelor din jur.
- Nu forțați cartușul de acumulator la montare. Dacă acesta nu glisează ușor, înseamnă că a fost introdus incorect.

Sistemul de protecție a acumulatorului

Aspiratorul este echipat cu un sistem de protecție, care întrerupe automat alimentarea la ieșire pentru a-i prelungi durata de viață.

Aspiratorul se oprește în timpul funcționării atunci când acesta și/sau acumulatorul se află în situația următoare. Aceasta este cauzată de activarea sistemului de protecție și nu reprezintă o problemă a aspiratorului.

- Când aspiratorul este suprasolicitat:
În acest moment, eliberați declanșatorul întrerupător și eliminați cauzele suprasolicității și apoi trageți din nou întrerupătorul declanșator pentru a reporni.
- Când capacitatea rămasă a acumulatorului se reduce:
Reîncărcați cartușul acumulatorului.

Acționarea întrerupătorului

- **Fig.3:** 1. Buton de oprire 2. Buton HIGH/LOW (Ridicat / Redus) 3. Lampă de capacitate acumulator

Pentru a porni aspiratorul, apăsați pur și simplu butonul HIGH/LOW (Ridicat / Redus). Pentru a opri apăsați butonul OFF (Oprire). Pentru a schimba turația aspiratorului, apăsați butonul HIGH/LOW (Ridicat / Redus). Prima apăsare a acestui buton este pentru turație ridicată, iar cea de-a doua apăsare este pentru turație redusă și apoi fiecare apăsare a butonului repetă alternativ ciclul de turație ridicată / redusă.

Aprinderea lămpii

Doar pentru modelul DCL182F

⚠ATENȚIE:

- Nu priviți niciodată direct în lumină. Lumina directă vă poate afecta ochii.

- **Fig.4:** 1. Buton de oprire 2. Buton HIGH/LOW (Ridicat / Redus) 3. Lampă de capacitate acumulator 4. Lampă
















Pentru a aprinde lampa, apăsați pur și simplu butonul „HIGH/LOW” (Ridicat/Redus). Pentru a stinge lampa, apăsați butonul „OFF” (Oprire).

Indicarea capacității rămase a acumulatorului

Numai pentru cartușe de acumulator cu indicator

- **Fig.5:** 1. Lămpi indicatoare 2. Buton de verificare

Apăsați butonul de verificare de pe cartușul acumulatorului, astfel încât să se indice capacitățile rămase ale acumulatorului. Lămpile indicatorului vor lumina timp de câteva secunde.

Lămpi indicatoare			Capacitate rămasă
Iluminat	Oprit	Iluminare intermitentă	
			
			între 75% și 100%
			între 50% și 75%
			între 25% și 50%
			între 0% și 25%
			Încărcați acumulatorul.
	  ↑ ↓  		Este posibil ca acumulatorul să fie defect.

NOTĂ: În funcție de condițiile de utilizare și temperatura ambientală, indicația poate fi ușor diferită de capacitatea reală.

Lampă de capacitate acumulator

- **Fig.6:** 1. Buton de oprire 2. Buton HIGH/LOW (Ridicat / Redus) 3. Lampă de capacitate acumulator

- Când capacitatea rămasă a acumulatorului se reduce, lampa de capacitate acumulator luminează intermitent.
- Când capacitatea rămasă a acumulatorului se reduce și mai mult, mașina se oprește în timpul operării, iar lampa de capacitate acumulator luminează timp de aproximativ zece secunde. În acest moment, scoateți cartușul de acumulator din mașină și încărcați-l.

NOTĂ:

- Momentul în care lampa de capacitate acumulator începe să lumineze intermitent depinde de temperatura din zona de lucru și de starea cartușului de acumulator.

MONTARE

⚠ATENȚIE:

- Asigurați-vă întotdeauna că mașina este oprită și cartușul acumulatorului este scos înainte de a executa orice lucrări la mașină.

Eliminarea prafului

⚠ATENȚIE:

- Goliți aspiratorul înainte de a deveni prea plin, sau de reducerea puterii de aspirare.
- Asigurați-vă că ați golit praful din interiorul aspiratorului propriu-zis. Neefectuarea acestei operațiuni poate produce îmbăscirea filtrului spongios sau defectarea motorului.
- Nu aruncați niciodată opritorul de praf pentru că acesta trebuie utilizat ori de câte ori este utilizat sacul de praf sau sacul de praf din hârtie.

- **Fig.7:** 1. Capac frontal 2. Buton

1. Apăsați butonul pentru a deschide capacul frontal. Deschiderea acestuia până la auzirea unui clic permite o oprire în poziția respectivă.

- **Fig.8:** 1. Capac frontal 2. Articulație capac frontal

NOTĂ:

- Aspiratorul este construit astfel încât capacul frontal se desprinde atunci când încercați să forțați deschiderea acestuia la un unghi mai mare de 90°. În cazul în care capacul frontal se desprinde, introduceți-l în articulația de capac frontal.

⚠ATENȚIE:

- La închiderea capacului frontal, asigurați-vă că nu vă prindeți degetele.

- **Fig.9:** 1. Opritor de praf

2. Trageți afară opritorul de praf portocaliu și sacul de praf împreună, în același timp.

- **Fig.10:** 1. Opritor de praf

- **Fig.11**

3. Scoateți opritorul de praf și goliți aspiratorul.

Sacul de praf din material textil și sacul de praf din hârtie

Înainte de a utiliza aspiratorul, montați fie un sac de praf din material textil fie un sac de praf din hârtie.

Utilizați opritorul de praf atunci când montați fie un sac de praf din material textil fie un sac de praf din hârtie. Sacul de praf poate fi utilizat în mod repetat dacă este curățat.

Sacul din hârtie este pentru o singură utilizare. Când sacul de praf din hârtie se umple, aruncați-l cu totul, fără a-l goli.

Instalarea sacului de praf

- **Fig.12:** 1. Față superioară a opritorului de praf
2. Față inferioară a opritorului de praf

Utilizați opritorul de praf atunci când montați sacul de praf din material textil. Aveți grijă ca, din greșeală, să nu utilizați fața superioară în locul feței inferioare pentru că acestea sunt diferite una de cealaltă.

- **Fig.13:** 1. Opritor de praf 2. Canelură 3. Sac de praf

1. Introduceți proeminența sacului de praf din material textil în canalul din opritorul de praf, așa cum este arătat în figură.

- **Fig.14:** 1. Canal inferior

2. Nu există nicio deosebire între marginea superioară și cea inferioară a sacului de praf din material textil. Puteți introduceți protuberanța oricăreia dintre marginile sale în canalul inferior al opritorului de praf.

- **Fig.15**

3. Suprapuneți cadrul opritorului de praf cu cel al sacului de praf din material textil.

- **Fig.16:** 1. Cavitare aspirator

4. Puneți împreună opritorul de praf și sacul de praf din material textil în cavitatea aspiratorului, în direcția săgeții de pe opritorul de praf. Introduceți-le până la refuz în fantele cavității aspiratorului.

- **Fig.17**

5. Așezați întreaga porțiune din material textil a sacului de praf în interiorul aspiratorului.

- **Fig.18:** 1. Capac frontal

6. Închideți complet capacul frontal.

Montarea sacului de praf din hârtie

- **Fig.19**

1. Înainte de a-l monta pe opritorul de praf, depliați admisia sacului de hârtie.

- **Fig.20:** 1. Față superioară a opritorului de praf
2. Față inferioară a opritorului de praf

Utilizați opritorul de praf și atunci când montați sacul de praf din hârtie. Aveți grijă ca, din greșeală, să nu utilizați fața superioară în locul feței inferioare, pentru că acestea sunt diferite una de cealaltă.

- **Fig.21:** 1. Opritor de praf 2. Sac de praf din hârtie
3. Canelură

2. Introduceți proeminența sacului de praf din hârtie în canalul opritorului de praf, așa cum este arătat în figură.

- **Fig.22:** 1. Canal inferior

3. Nu există nicio deosebire între fața superioară și cea inferioară a sacului de praf din hârtie. Puteți introduce protuberanța oricăreia dintre marginile sale în canalul inferior al opritorului de praf.

- **Fig.23**

4. Suprapuneți cadrul opritorului de praf cu cel al sacului de praf din hârtie.

- **Fig.24:** 1. Cavitare aspirator

5. Puneți opritorul de praf și sacul de praf din hârtie în cavitatea aspiratorului, în direcția săgeții de pe opritorul de praf. Introduceți-le până la maxim în fantele cavității aspiratorului.

- **Fig.25**

6. Așezați întreaga porțiune de reținere a sacului de praf din hârtie în interiorul aspiratorului propriu-zis.
7. Închideți complet capacul frontal.

⚠ATENȚIE:

- Omiterea montării sacului de praf din material textil sau sacului din hârtie, eșecul introducerii complete a sacului de praf din material textil sau sacului din hârtie împreună cu opritorul de praf în fante, sau utilizarea unor saci rupți sau sfâșiați, poate permite prafului să pătrundă în motor. Acest fapt poate avea ca efect defectarea motorului.
- Nu îndoiți cartonul de la admisie atunci când montați sacul de praf din hârtie.
- Nu aruncați niciodată opritorul de praf pentru că acesta trebuie utilizat ori de câte ori este utilizat sacul de praf sau sacul de praf din hârtie.
- Sacul de hârtie pentru aspirator reprezintă o componentă importantă pentru păstrarea performanțelor acestuia. Utilizarea unui alt sac de hârtie decât cel original poate cauza fum sau aprindere.

FUNCȚIONARE

⚠ATENȚIE:

- Pentru a conecta un atașament cum ar fi duza, introduceți-l prin rotire în direcția săgeții pentru a asigura o conexiune sigură în timpul utilizării. Pentru a deconecta atașamentul, extrageți prin răsucire în direcția săgeții.

- **Fig.26**

Curățarea (Aspirarea)

Duză

Montați duza pentru a curăța mesele, birourile, mobila etc. Duza alunecă foarte ușor.

- **Fig.27:** 1. Duză

Duză + Tub de extensie (Țeavă dreaptă)

Tubul de extensie se montează între duză și aspiratorul propriu-zis. Această configurație este confortabilă pentru curățarea podelei în timp ce stați în picioare.

- **Fig.28:** 1. Corp aspirator 2. Tub de extensie 3. Duză

Duză cotită

Montați duza pentru colțuri pentru a curăța colțurile și spațiile înguste ale unei mașini sau ale mobilei.

► **Fig.29:** 1. Corp aspirator 2. Duză de colț

Duză pentru colțuri + Tub de extensie (Țeavă dreaptă)

În locurile strâmte unde aspiratorul nu poate fi introdus, sau în locurile înalte la care este greu de ajuns, utilizați această configurație.

► **Fig.30:** 1. Corp aspirator 2. Tub de extensie 3. Duză de colț

Curățarea fără duză

Puteți ridica pulberea și praful fără duză.

► **Fig.31**

ÎNȚREȚINERE

⚠ATENȚIE:

- Asigurați-vă întotdeauna că aspiratorul este oprit, înainte de a încerca să efectuați inspecția sau întreținerea.

După utilizare

NOTĂ:

- Sprijinirea aspiratorului de perete, fără niciun alt suport, poate cauza căderea acestuia și defectarea.

► **Fig.32**

Curățarea

► **Fig.33**

Din când în când ștergeți suprafața exterioară (corpul aspiratorului) a aspiratorului utilizând o lavetă umezită în apă cu săpun.

De asemenea, curățați admisia, zona de montaj a sacului de praf/sacului de praf din hârtie și opritorul de praf.

⚠ATENȚIE:

- Nu utilizați niciodată gazolină, benzină, diluant, alcool sau alte substanțe asemănătoare. În caz contrar, pot rezulta decolorări, deformări sau fisuri.

► **Fig.34**

Spălați sacul de praf din material textil în apă cu săpun atunci când acesta este îmbăcsit cu praf și puterea aspiratorului scade. Uscați-l complet înainte de utilizare. Un sac insuficient uscat poate avea ca efect o putere mică de aspirare și poate scurta durata de viață a motorului.

NOTĂ:

- Sacul de praf din hârtie este de unică folosință.

Când filtrul spongios este îmbăcsit cu praf, scoateți-l din aspirator și apoi curățați-l sau spălați-l în apă.

Scoaterea și montarea filtrului spongios

► **Fig.35:** 1. Filtru spongios

Pentru a scoate filtrul spongios, scoateți sacul de praf sau sacul de praf din hârtie, apoi prindeți-l și trageți-l afară.

► **Fig.36:** 1. Cavitate în perete

Apăsăți întreaga margine a filtrului spongios pe peretele cu nișe din interiorul zonei de montaj a sacului de praf/sacului de praf din hârtie.

⚠ATENȚIE:

- După curățarea filtrului spongios, asigurați-vă că acesta va fi montat în aspirator. Dacă a fost spălat în apă, uscați filtrul înainte de a-l monta. Un filtru spongios insuficient uscat poate scurta durata de viață a motorului.

Suport de perete pentru aspirator cu acumulator

Accesoriu opțional

NOTĂ: Șurubul pentru fixarea suportului nu este inclus. Pregătiți un șurub care să corespundă materialului de înșurubat.

Fixați suportul de perete pentru aspiratorul cu acumulator de un perete, o grindă sau o coloană solidă din lemn, unde suportul de perete pentru aspiratorul cu acumulator poate fi bine fixat. Asigurați-vă întotdeauna că suportul de perete pentru aspiratorul cu acumulator este bine fixat înainte de a agăța aspiratorul.

► **Fig.37:** 1. Suport de perete pentru aspirator cu acumulator

⚠ATENȚIE: Nu agățați aspiratorul de suportul de perete într-un mod violent și nu agățați de el alte aparate electrocasnice.

Elemente care trebuie verificate înainte de a solicita reparațiile

Simptom	Zona care trebuie investigată	Metoda de fixare
Putere slabă de aspirație	Sacul de praf sau sacul de hârtie este plin de praf?	Goliți sacul de praf sau sacul de hârtie.
	Sacul de praf este înfundat?	Eliminați praful din sac sau spălați sacul.
	Sacul de hârtie este înfundat?	Înlocuiți sacul de hârtie.
	Acumulatorul este epuizat?	Încărcați cartușul acumulatorului.
Nu funcționează	Acumulatorul este epuizat?	Încărcați cartușul acumulatorului.

NOTĂ:

- Nu încercați să reparați singur aspiratorul.

Pentru a menține siguranța și fiabilitatea mașinii, reparațiile și reglajele trebuie să fie efectuate numai la Centrele de service autorizat Makita, folosindu-se piese de schimb Makita.

ACCESORII OPȚIONALE

ATENȚIE:

- Aceste accesorii sau atașamentele sunt recomandate pentru utilizarea împreună cu aspiratorul Makita specificat în acest manual. Utilizarea oricărui alte accesorii sau atașamente poate prezenta riscul de rănire a persoanelor. Utilizați accesoriiile și atașamentele numai în scopul pentru care au fost destinate.

Dacă aveți nevoie de asistență sau de mai multe detalii referitoare la aceste accesorii, adresați-vă centrului local de service Makita.

- Tub de extensie (Țeavă dreaptă)
- Duză
- Duză pentru covoare
- Perie pentru rafturi
- Duză cotită
- Perie rotundă
- Furtun flexibil
- Sac de praf din hârtie
- Suport de perete pentru aspirator cu acumulator
- Acumulator și încărcător original Makita

NOTĂ:

- Unele articole din listă pot fi incluse ca accesorii standard în ambalajul de scule. Acestea pot diferi în funcție de țară.

WARNUNG

Dieses Gerät kann von Kindern ab 8 Jahren und Personen mit verminderten körperlichen, sensorischen oder geistigen Fähigkeiten oder Mangel an Erfahrung und Kenntnissen benutzt werden, sofern sie eine Beaufsichtigung oder Anweisung bezüglich des sicheren Gebrauchs des Gerätes erhalten haben und die damit verbundenen Gefahren verstehen. Kinder dürfen nicht mit dem Gerät spielen. Reinigung und Benutzerwartung dürfen nicht von Kindern ohne Beaufsichtigung durchgeführt werden.

TECHNISCHE DATEN

Modell		DCL142	DCL182	DCL182F
Kapazität	mit einem Staubbeutel	0,50 L		
	mit einer Papiertüte	0,33 L		
Dauerbetrieb	hoch	ca. 20 min		
	Niedrig	ca. 40 min		
Gesamtlänge		986 mm	1.004 mm	
Netto-Gewicht		1,3 kg		
Nennspannung		Gleichspannung 14,4 V	Gleichspannung 18 V	

- Aufgrund der laufenden Forschung und Entwicklung unterliegen die hier aufgeführten technischen Daten Veränderungen ohne Hinweis
- Die Technischen Daten und der Akkublock können in den einzelnen Ländern abweichen.
- Gewicht, mit Akkublock, ermittelt gemäß EPTA-Verfahren 01/2003

Symbole

Nachstehend sind Symbole aufgeführt, auf die Sie beim Werkzeuggebrauch stoßen können. Sie sollten noch vor Arbeitsbeginn ihre Bedeutung kennen.



Lesen Sie die vorliegende Bedienungsanleitung.



Nur für EU-Länder
Entsorgen Sie Elektrowerkzeuge, Batterien und Akkus nicht über den Hausmüll!
Gemäß der Europäischen Richtlinie über Elektro- und Elektronik- Altgeräte und über Batterien und Akkumulatoren sowie Altbatterien und Altakkumulatoren und ihrer Umsetzung in nationales Recht müssen verbrauchte Elektrowerkzeuge sowie Altbatterien und Altakkumulatoren getrennt gesammelt und einer umweltgerechten Wiederverwertung zugeführt werden.

Verwendungszweck

Das Gerät wurde für das Sammeln von trockenem Staub entwickelt.

WICHTIG

SICHERHEITSHINWEISE

Beim Gebrauch von Elektrowerkzeugen und -geräten sind immer grundsätzliche Sicherheitsregeln einzuhalten, von denen einige im Folgenden aufgeführt sind:

LESEN SIE VOR GEBRAUCH DIESES GERÄTS ALLE ANLEITUNGEN.

WARNUNG - Um die Gefahr eines Brandes, eines Stromschlags oder von Verletzungen zu vermeiden:

1. **Setzen Sie das Gerät keinem Regen aus. Bewahren Sie das Gerät in einem geschlossenen Raum auf.**
2. **Lassen Sie eine Verwendung als Spielzeug nicht zu. Erhöhte Aufmerksamkeit ist bei der Verwendung in der Nähe von Kindern erforderlich.**
3. **Verwenden Sie den Sauger nur so wie in diesem Handbuch beschrieben. Verwenden Sie ausschließlich vom Hersteller empfohlene Befestigungen.**

4. Verwenden Sie einen beschädigten Akku nicht. Wenn das Gerät nicht wie erwartet funktioniert, heruntergefallen ist, beschädigt ist oder im Freien aufbewahrt wurde oder ins Wasser gefallen ist, lassen Sie das Gerät unbedingt von einem Servicecenter überprüfen und ggf. reparieren.
5. Benutzen Sie das Gerät nicht mit feuchten Händen.
6. Stecken Sie keine Gegenstände in die Öffnungen. Verwenden Sie den Sauger nicht mit verstopften Öffnungen; halten Sie den Sauger frei von Staub, Flusen, Haaren und allem, das den Luftstrom beeinträchtigen könnte.
7. Halten Sie Haar, locker anliegende Kleidung und Ihren Körper, insbesondere Ihre Finger, von Öffnungen und sich bewegenden Teilen fern.
8. Schalten Sie alle Bedienelemente auf AUS, bevor Sie Akkus/Batterien entnehmen.
9. Seien Sie beim Saugen auf Stufen besonders aufmerksam.
10. Verwenden Sie dieses Gerät nicht, um entflammbare oder brennbare Flüssigkeiten wie z. B. Kraftstoffe aufzunehmen, und verwenden Sie Elektrowerkzeuge und -geräte nicht in Bereichen, in denen derartige Stoffe vorhanden sein können.
11. Laden Sie Akkus ausschließlich mit dem vom Hersteller mitgelieferten Ladegerät auf.
12. Nehmen Sie mit diesem Gerät keine brennenden oder rauchenden Gegenstände wie z. B. glimmende Tabakreste, Streichhölzer oder heiße Asche auf.
13. Verwenden Sie dieses Gerät nicht ohne ordnungsgemäß eingesetzte Filter.
14. Laden Sie Akkus nicht im Freien auf. Verwendung und Pflege von akkubetriebenen Werkzeugen
15. Der Akku darf nur mit dem vom Hersteller angegebenen Ladegerät aufgeladen werden. Ein Ladegerät, das sich für den einen Akkutyp eignet, kann bei der Verwendung mit einem anderen Akku eine Brandgefahr darstellen.
16. Elektrowerkzeuge dürfen nur mit den dafür speziell vorgesehenen Akkus verwendet werden. Die Verwendung sonstiger Akkus kann eine Verletzungs- und Brandgefahr darstellen.
17. Nicht verwendete Akkublöcke dürfen nicht in der Nähe von anderen metallischen Gegenständen wie Büroklammern, Münzen, Schlüssel, Nägeln, Schrauben oder sonstigen metallischen Kleingegenständen aufbewahrt werden, da durch derartige Gegenstände die Gefahr besteht, dass eine leitende Verbindung zwischen den Kontakten hergestellt wird.
18. Bei falschem Gebrauch kann Flüssigkeit aus dem Akku austreten; vermeiden Sie in diesem Fall jeglichen Körperkontakt mit der Flüssigkeit. Wenn Sie versehentlich mit Flüssigkeit aus dem Akku in Berührung geraten, waschen Sie die betroffene Stelle gründlich mit Wasser ab.

BEWAHREN SIE DIESE ANWEISUNGEN AUF.

Dieses Gerät ist für den Hausgebrauch vorgesehen.

ZUSÄTZLICHE SICHERHEITSREGELN

1. Lesen Sie vor der Verwendung des Geräts die vorliegende Bedienungsanleitung sowie die Bedienungsanleitung zum Ladegerät aufmerksam durch.
2. Nehmen Sie mit dem Gerät nicht folgende Stoffe auf:
 - Heiße Materialien wie glimmende Zigaretten oder glühenden/metallenen Staub, der beim Schleifen/Schneiden von Material entstanden ist
 - Feuergefährliche Materialien wie Kraftstoffe, Verdüner, Waschbenzin, Petroleum oder Farben
 - Explosivstoffe wie Nitroglyzerin
 - Selbstentzündliche Materialien wie Aluminium, Zink, Magnesium, Titan, Phosphor oder Zelluloid
 - Feuchter Staub, Wasser, Öl o. Ä.
 - Harte Teile mit scharfen Kanten wie z. B. Holzspäne, Metalle, Steine, Glas, Nägel, Reißzwecken oder Klingen
 - Klumpen bildende Pulver wie Zement oder Toner
 - Elektrisch leitfähige Ablagerungen wie Metallstaub oder Kohlestaub
 - Feinstäube wie Betonstaub
 Anderenfalls kann es zu einem Brand, zu Verletzungen und/oder zu Sachschäden kommen.
3. Unterbrechen Sie bei Auftreten von Störungen den Betrieb sofort.
4. Falls das Gerät heruntergefallen ist oder es gestoßen wurde, überprüfen Sie es vor Betrieb sorgfältig auf Risse oder Beschädigungen.
5. Bringen Sie den Sauger nicht in die Nähe von Öfen oder anderen Wärmequellen.
6. Blockieren Sie weder die Einlassöffnung noch die Lüftungslöcher.

BEWAHREN SIE DIESE ANWEISUNGEN AUF.

Wichtige Sicherheitsanweisungen für Akku

1. Lesen Sie vor der Benutzung des Akkus alle Anweisungen und Warnhinweise, die an (1) Ladegerät, (2) Akku und (3) Akkuwerkzeug angebracht sind.
2. Unterlassen Sie ein Zerlegen des Akkus.
3. Falls die Betriebszeit beträchtlich kürzer geworden ist, stellen Sie den Betrieb sofort ein. Anderenfalls besteht die Gefahr von Überhitzung, möglichen Verbrennungen und sogar einer Explosion.
4. Falls Elektrolyt in Ihre Augen gelangt, waschen Sie sie mit sauberem Wasser aus, und begeben Sie sich unverzüglich in ärztliche Behandlung. Anderenfalls können Sie Ihre Sehkraft verlieren.
5. Der Akku darf nicht kurzgeschlossen werden:
 - (1) Die Kontakte dürfen nicht mit leitfähigem Material berührt werden.
 - (2) Lagern Sie den Akku nicht in einem Behälter zusammen mit anderen Metallgegenständen, wie z. B. Nägel, Münzen usw.
 - (3) Setzen Sie den Akku weder Wasser noch Regen aus.

Ein Kurzschluss des Akkus verursacht starken Stromfluss, der Überhitzung, mögliche Verbrennungen und einen Defekt zur Folge haben kann.

6. Lagern Sie das Werkzeug und den Akku nicht an Orten, an denen die Temperatur 50 °C erreichen oder überschreiten kann.
7. Versuchen Sie niemals, den Akku zu verbrennen, selbst wenn er stark beschädigt oder vollkommen verbraucht ist. Der Akku kann im Feuer explodieren.
8. Achten Sie darauf, dass der Akku nicht fallen gelassen oder Stößen ausgesetzt wird.
9. Benutzen Sie keine beschädigten Akkus.
10. Die enthaltenen Lithium-Ionen-Akkus unterliegen den Anforderungen der Gefahrgut-Gesetzgebung.
Für kommerzielle Transporte, z. B. durch Dritte oder Spediteure, müssen besondere Anforderungen zu Verpackung und Etikettierung beachtet werden.
Zur Vorbereitung des zu transportierenden Artikels ist eine Beratung durch einen Experten für Gefahrgut erforderlich. Bitte beachten Sie möglicherweise ausführlichere nationale Vorschriften. Überkleben oder verdecken Sie offene Kontakte, und verpacken Sie den Akku so, dass er sich in der Verpackung nicht umher bewegen kann.
11. Befolgen Sie die örtlichen Bestimmungen bezüglich der Entsorgung von Akkus.
12. Verwenden Sie die Akkus nur mit den von Makita angegebenen Produkten. Das Einsetzen der Akkus in nicht konforme Produkte kann zu einem Brand, übermäßiger Hitzebildung, einer Explosion oder Auslaufen von Elektrolyt führen.

DIESE ANWEISUNGEN AUFBEWAHREN.

⚠ VORSICHT: Verwenden Sie nur Original-Makita-Akkus. Die Verwendung von Nicht-Original-Makita-Akkus oder von Akkus, die abgeändert worden sind, kann zum Bersten des Akkus und daraus resultierenden Bränden, Personenschäden und Beschädigung führen. Außerdem wird dadurch die Makita-Garantie für das Makita-Werkzeug und -Ladegerät ungültig.

Hinweise zur Aufrechterhaltung der maximalen Akku-Nutzungsdauer

1. Laden Sie den Akku, bevor er vollkommen erschöpft ist. Schalten Sie das Werkzeug stets aus, und laden Sie den Akku, wenn Sie ein Nachlassen der Werkzeugleistung feststellen.
2. Unterlassen Sie erneutes Laden eines voll aufgeladenen Akkus. Überladen führt zu einer Verkürzung der Nutzungsdauer des Akkus.
3. Laden Sie den Akku bei Raumtemperatur zwischen 10 – 40 °C. Lassen Sie einen heißen Akku abkühlen, bevor Sie ihn laden.
4. Der Akku muss geladen werden, wenn er lange Zeit (länger als sechs Monate) nicht benutzt wird.

FUNKTIONSBESCHREIBUNG

⚠ VORSICHT:

- Schalten Sie das Werkzeug stets aus und entfernen Sie den Akkublock, bevor Sie Einstellungen oder eine Funktionsprüfung des Werkzeugs vornehmen.
- Achten Sie darauf, dass Sie Ihre Finger nicht zwischen Staubsauger und Akku einklemmen, wenn Sie den Akku einsetzen (siehe Abbildung). Beim Einklemmen von Fingern kann es zu Verletzungen kommen.

► Abb.1

Montage und Demontage des Akkublocks

► Abb.2: 1. Rote Anzeige 2. Taste 3. Akkublock

⚠ VORSICHT:

- Schalten Sie das Werkzeug immer aus, bevor Sie den Akkublock einsetzen oder entnehmen.
- Halten Sie das Werkzeug und den Akkublock sicher fest, wenn Sie den Akkublock einsetzen oder herausnehmen. Andernfalls könnte Ihnen das Werkzeug oder der Akkublock aus den Händen fallen, sodass das Werkzeug oder der Akkublock beschädigt werden oder diese Verletzungen verursachen.

Zum Entnehmen des Akkublocks müssen Sie die Taste auf der Vorderseite des Akkublocks schieben und gleichzeitig den Akkublock aus dem Werkzeug herausziehen. Zum Einsetzen des Akkublocks müssen Sie die Zunge des Akkublocks an der Rille im Gehäuse ausrichten und in die gewünschte Position schieben. Setzen Sie den Akkublock ganz ein, bis er mit einem Klick einrastet. Wenn Sie den roten Bereich oben auf der Taste sehen können, ist der Akkublock nicht ganz eingerastet.

⚠ VORSICHT:

- Setzen Sie den Akkublock unbedingt ganz ein, bis der rote Bereich nicht mehr zu sehen ist. Andernfalls kann der Akkublock versehentlich aus dem Werkzeug fallen und Sie oder Personen in Ihrem Umfeld verletzen.
- Setzen Sie den Akkublock nicht mit Gewalt ein. Wenn der Akkublock nicht leicht hineingleitet, ist er nicht richtig angesetzt.

Akku-Schutzsystem

Der Sauger ist mit einem Schutzsystem ausgestattet, das die Ausgangsleistung für eine längere Lebenszeit des Akkus automatisch begrenzt.

In folgender Situation des Saugers und/oder des Akkus stoppt der Sauger während des Betriebs. Dies geschieht aufgrund der Aktivierung des Schutzsystems und stellt keine Fehlfunktion dar.

- Bei Überlastung des Saugers:
Lassen Sie den Ein/Aus-Schalter los und begeben Sie die Ursachen der Überlastung; betätigen Sie zum Neustarten anschließend den Ein/Aus-Schalter.
- Wenn die verbleibende Batterieladung zu niedrig wird:
Laden Sie den Akkublocks auf.

Einschalten

- **Abb.3:** 1. Ausschalttaste 2. Taste „HIGH/LOW“
3. Anzeigelampe für Akkuladezustand

Betätigen Sie zum Starten des Saugers einfach die Taste „HIGH/LOW“ (HOCH/NIEDRIG). Zum Ausschalten drücken Sie die Taste „OFF“ (AUS). Betätigen Sie zum Ändern der Drehzahl des Saugers einfach die Taste „HIGH/LOW“ (HOCH/NIEDRIG). Beim ersten Drücken dieser Taste wird die hohe Drehzahl eingeschaltet, beim zweiten Drücken die niedrige Drehzahl, bei jedem weiteren Drücken erfolgt der Wechsel zwischen hoher und niedriger Drehzahl.

Einschalten der Lampe

Nur für Modell DCL182F

⚠ VORSICHT:

- Blicken Sie auf keinen Fall direkt in das Licht. Der direkte Lichtstrahl verursacht Sehschäden.

- **Abb.4:** 1. Ausschalttaste 2. Taste „HIGH/LOW“
3. Anzeigelampe für Akkuladezustand
4. Lampe

Drücken Sie zum Einschalten der Lampe einfach die Taste „HOCH/NIEDRIG“. Drücken Sie zum Ausschalten der Lampe die Ausschalttaste (OFF).

Anzeigen der Akku-Restkapazität

Nur für Akkus mit Anzeige

- **Abb.5:** 1. Anzeigelampen 2. Prüftaste

Drücken Sie die Prüftaste am Akku, um die Akku-Restkapazität anzuzeigen. Die Anzeigelampen leuchten wenige Sekunden lang auf.

Anzeigelampen			Restkapazität
Erleuchtet	Aus	Blinkend	
			75 % bis 100 %
			50% bis 75%
			25% bis 50%
			0% bis 25%
			Den Akku aufladen.
			Möglicherweise liegt eine Funktionsstörung im Akku vor.

HINWEIS: Abhängig von den Benutzungsbedingungen und der Umgebungstemperatur kann die Anzeige geringfügig von der tatsächlichen Kapazität abweichen.

Anzeigelampe für Akkuladezustand

- **Abb.6:** 1. Ausschalttaste 2. Taste „HIGH/LOW“
3. Anzeigelampe für Akkuladezustand

- Wenn die verbleibende Akkuladung gering wird, beginnt die Anzeigelampe für den Akkuladezustand zu blinken.
- Sinkt die verbleibende Akkuladung während des Betriebs sehr weit ab, schaltet sich das Gerät aus, und die Anzeigelampe für den Akkuladezustand leuchtet ca. 10 Sekunden lang auf. Nehmen Sie spätestens jetzt den Akkublock aus dem Gerät und laden Sie den Akku auf.

HINWEIS:

- Die Zeit bis zum Blinken bzw. Aufleuchten der Anzeigelampe für den Akkuladezustand ist von der Temperatur am Arbeitsort und vom Zustand des Akkublocks abhängig.

MONTAGE

⚠ VORSICHT:

- Schalten Sie das Werkzeug stets aus, und entfernen Sie den Akkublock, bevor Sie Arbeiten am Werkzeug ausführen.

Entsorgen des Staubs

⚠ VORSICHT:

- Leeren Sie den Sauger, bevor dieser zu voll und die Ansaugleistung zu schwach wird.
- Entfernen Sie auch den Staub im Inneren des Saugers selbst. Anderenfalls kann der Schwammfilter verstopfen oder der Motor beschädigt werden.
- Werfen Sie auf keinen Fall den Staubsackanschlag weg, weil er bei jedem Einsetzen des Staubsacks oder Papierbeutel benötigt wird.

- **Abb.7:** 1. Vordere Abdeckung 2. Taste

1. Zum Öffnen der Vorderabdeckung drücken Sie auf die Taste. Wenn Sie die Vorderabdeckung so weit aufklappen, bis ein Klickgeräusch zu hören ist, rastet die Abdeckung in dieser Position ein.

- **Abb.8:** 1. Vordere Abdeckung 2. Scharnier der Vorderabdeckung

HINWEIS:

- Der Staubsauger ist so gestaltet, dass sich die Vorderabdeckung vom Gerät löst, wenn sie gewaltsam weiter als 90° aufgeklappt wird. Wenn sich die Vorderabdeckung vom Gerät gelöst hat, setzen Sie die Vorderabdeckung wieder in ihr Scharnier ein.

⚠ VORSICHT:

- Achten Sie beim Schließen der Vorderabdeckung darauf, dass Sie sich nicht die Finger einklemmen.

► **Abb.9:** 1. Staubstopper

2. Ziehen Sie beide orangefarbenen Staubstopper zusammen mit dem Staubbeutel heraus.

► **Abb.10:** 1. Staubstopper

► **Abb.11**

3. Nehmen Sie den Staubstopper heraus und leeren Sie den Sauger.

Staubbeutel oder Papiertüte

Setzen Sie vor der Verwendung des Saugers entweder einen Staubbeutel oder eine Papiertüte ein.

Verwenden Sie mit dem Staubbeutel oder der Papiertüte immer den Staubstopper.

Der Staubsack kann durch Entleeren wiederholt verwendet werden.

Papiertüten sind Einwegartikel. Entsorgen Sie die gesamte volle Papiertüte, ohne diese zu leeren.

Anbringen des Staubbeutels

► **Abb.12:** 1. Oberseite des Staubstoppers
2. Unterseite des Staubstoppers

Verwenden Sie mit dem Staubbeutel immer den Staubstopper. Achten Sie darauf, dass Sie den Staubstopper nicht aus Versehen verkehrt herum einsetzen, denn Ober- und Unterseiten sind unterschiedlich.

► **Abb.13:** 1. Staubstopper 2. Rille 3. Staubbeutel

1. Setzen Sie den Vorsprung des Staubbeutels in die Kerbe im Staubstopper ein, wie in der Abbildung dargestellt.

► **Abb.14:** 1. Unterer Kerbe

2. Ober- und Unterseite des Staubbeutels unterscheiden sich nicht. Sie können diesen Vorsprung an jeder Seite in die untere Kerbe des Staubstoppers einsetzen.

► **Abb.15**

3. Überlappen Sie den Rahmen des Staubstoppers mit dem des Staubbeutels.

► **Abb.16:** 1. Saugerausparung

4. Setzen Sie den Staubstopper und den Staubbeutel zusammen in die Saugerausparung in Pfeilrichtung am Staubstopper ein. Setzen Sie dies ganz in die Schlitze in der Saugerausparung ein.

► **Abb.17**

5. Platzieren Sie den gesamten Stoffteil des Staubbeutels im Inneren des Saugers.

► **Abb.18:** 1. Vordere Abdeckung

6. Schließen Sie die Vorderabdeckung vollständig.

Einsetzen der Papiertüte

► **Abb.19**

1. Klappen Sie den Eingang der Papiertüte vor dem Einsetzen in den Staubstopper auf.

► **Abb.20:** 1. Oberseite des Staubstoppers
2. Unterseite des Staubstoppers

Verwenden Sie den Staubsackanschlag auch zum Einsetzen des Papierbeutels. Achten Sie darauf, dass Sie nicht versehentlich die Oberseite mit der Unterseite verwechseln, weil sie unterschiedlich sind.

► **Abb.21:** 1. Staubstopper 2. Papierbeutel 3. Rille

2. Führen Sie den Vorsprung des Papierbeutels in die Führungsnut des Staubsackanschlags ein, wie in der Abbildung gezeigt.

► **Abb.22:** 1. Unterer Kerbe

3. Es gibt keinen Unterschied zwischen der Ober- und Unterseite des Papierbeutels. Der Vorsprung beider Seiten kann in die untere Nut des Staubsackanschlags eingeführt werden.

► **Abb.23**

4. Der Rahmen des Staubsackanschlags muss sich mit dem des Papierbeutels decken.

► **Abb.24:** 1. Saugerausparung

5. Setzen Sie den Papierbeutel zusammen mit dem Staubsackanschlag in der Richtung des Pfeils auf dem Staubsackanschlag in die Staubsackkammer ein. Führen Sie die Teile vollständig in die Schlitze der Staubsackkammer ein.

► **Abb.25**

6. Bringen Sie den gesamten Behälterteil des Papierbeutels im Gerät selbst unter.
7. Schließen Sie die Vorderabdeckung vollständig.

⚠ VORSICHT:

- Wird der Staubbeutel oder die Papiertüte nicht eingesetzt, oder wird der Staubstopper nicht zusammen mit dem Staubbeutel oder der Papiertüte vollständig in die Schlitze eingesetzt oder wird ein zerstörter oder zerrissener Beutel verwendet, kann Staub in den Motor gelangen. Dies kann zu einem Ausfall des Motors führen.
- Falten Sie die Kartonplatte nicht an der Öffnung, wenn Sie die Papiertüte einsetzen.
- Werfen Sie auf keinen Fall den Staubsackanschlag weg, weil er zum Einsetzen des Staubsacks oder Papierbeutels wiederholt benutzt werden muss.
- Die Papiertüte im Staubsauger ist von hoher Bedeutung für die Leistungsfähigkeit des Geräts. Bei Verwendung von anderen Papiertüten als die Original-Papiertüten kann es zu Rauchentwicklung und sogar zum Entstehen eines Brandes kommen.

ARBEIT

⚠ VORSICHT:

- Zum Befestigen von Zubehörteilen, wie z. einer Düse, drehen Sie das Zubehörteil in Pfeilrichtung hinein, um eine sichere Verbindung während der Verwendung zu gewährleisten. Zum Abnehmen von Zubehörteilen drehen Sie das Zubehörteil in Pfeilrichtung heraus.

► **Abb.26**

Reinigung (Ansaugung)

Düse

Bringen Sie zum Reinigen von Tischen, Pulten, Möbeln usw. die Düse an. Die Düse lässt sich leicht aufstecken.

► **Abb.27:** 1. Stutzen

Düse + Verlängerungsarm (gerades Rohr)

Der Verlängerungsarm passt zwischen Düse und Sauger. Diese Anordnung ist praktisch zum Reinigen des Bodens, während Sie aufrecht stehen.

► **Abb.28:** 1. Staubsauger 2. Verlängerungsarm
3. Stutzen

Winkeldüse

Stecken Sie zum Reinigen von Ecken und Spalten in einem Auto oder in Polstermöbeln die Eckdüse auf.

► **Abb.29:** 1. Staubsauger 2. Winkeldüse

Eckdüse + Verlängerungsarm (gerades Rohr)

Der Sauger kann selbst nicht in enge Ecken gelangen, auch hohe Plätze sind schwer zu erreichen. Verwenden Sie dann diese Anordnung.

► **Abb.30:** 1. Staubsauger 2. Verlängerungsarm
3. Winkeldüse

Reinigen ohne Düse

Puder oder Staub können Sie auch ohne Düse aufsaugen.

► **Abb.31**

WARTUNG

⚠ VORSICHT:

- Schalten Sie das Gerät stets aus, bevor Sie Prüfungen oder Wartungsarbeiten am Sauger durchführen.

Nach der Verwendung

HINWEIS:

- Bei Anlehnen des Staubsaugers ohne weitere Abstützung gegen die Wand fällt der Staubsauger um und kann beschädigt werden.

► **Abb.32**

Reinigung

► **Abb.33**

Wischen Sie von Zeit zu Zeit das Äußere des Saugers mit einem mit Seifenwasser befeuchtetem Tuch ab. Reinigen Sie auch die Saugöffnung, den Staubsack/Papierbeutel-Montagebereich und den Staubsackanschlag.

⚠ VORSICHT:

- Verwenden Sie zum Reinigen niemals Kraftstoffe, Benzin, Verdünnern, Alkohol oder ähnliches. Dies kann zu Verfärbungen, Verformungen oder Rissen führen.

► **Abb.34**

Waschen Sie den Staubbeutel bei Verschmutzung und bei nachlassender Reinigungsleistung in Seifenwasser. Lassen Sie den Beutel vor der Verwendung gut trocknen. Ein unzureichend getrockneter Beutel kann zu einer geringeren Ansaugung und einer kürzeren Lebenszeit des Motors führen.

HINWEIS:

- Der Papierbeutel ist ein Wegwerfartikel.

Wenn der Schwammfilter verschmutzt ist, entnehmen Sie ihn aus dem Sauger, schütteln Sie ihn aus oder waschen Sie ihn in Wasser.

Entnehmen und Einsetzen des Schwammfilters

► **Abb.35:** 1. Schwammfilter

Entfernen Sie den Schwammfilter durch Zusammendrücken und Herausnehmen, nachdem Sie den Staubsack bzw. den Papierbeutel herausgenommen haben.

► **Abb.36:** 1. Abgestufte Wand

Drücken Sie die ganze Kante des Schwammfilters gegen die vertiefte Wand im Staubsack/Papierbeutel-Montagebereich.

⚠ VORSICHT:

- Setzen Sie nach dem Reinigen den Schwammfilter auf jeden Fall wieder in den Sauger ein. Falls Sie den Filter mit Wasser gereinigt haben, trocknen Sie ihn vor dem Einsetzen. Ein unzureichend getrockneter Schwammfilter kann zu einer kürzeren Lebenszeit des Motors führen.

Wandhalterung für Akku-Staubsauger

Sonderzubehör

HINWEIS: Die Schraube für die Montage des Halters ist nicht im Lieferumfang enthalten. Besorgen Sie eine für das Einschraubmaterial passende Schraube.

Befestigen Sie die Wandhalterung für Akku-Staubsauger an einer festen Wand, einem Träger oder einer Säule aus Holz, an der die Wandhalterung für Akku-Staubsauger einwandfrei gesichert werden kann. Vergewissern Sie sich vor dem Aufhängen des Staubsaugers immer, dass die Wandhalterung für Akku-Staubsauger sicher befestigt ist.

► **Abb.37:** 1. Wandhalterung für Akku-Staubsauger

⚠ VORSICHT: Unterlassen Sie gewaltsames Aufhängen des Staubsaugers an der Wandhalterung oder Aufhängen anderer Geräte außer dem Staubsauger.

Zu prüfende Elemente, bevor Sie eine Reparatur beauftragen

Symptom	Zu prüfender Bereich	Befestigungsmethode
Schwache Ansaugleistung	Ist der Staubbeutel bzw. die Papiertüte ganz mit Staub gefüllt?	Leeren Sie den Staubbeutel bzw. die Papiertüte.
	Ist der Staubbeutel zugesetzt?	Klopfen oder waschen Sie den Staubbeutel aus.
	Ist die Papiertüte zugesetzt?	Ersetzen Sie die Papiertüte.
	Ist der Akku erschöpft?	Laden Sie den Akkublock.
Funktioniert nicht	Ist der Akku erschöpft?	Laden Sie den Akkublock.

HINWEIS:

- Versuchen Sie nicht selbst, den Staubsauger zu reparieren.

Zur Aufrechterhaltung der SICHERHEIT und ZUVERLÄSSIGKEIT des Produkts müssen die Reparaturen und alle Wartungen und Einstellungen von den autorisierten Servicestellen der Firma Makita und unter Verwendung der Ersatzteile von Makita durchgeführt werden.

SONDERZUBEHÖR

⚠ VORSICHT:

- Für den in diesem Handbuch beschriebene Makita-Sauger werden die folgenden Zubehör- und Zusatzteile empfohlen. Die Verwendung anderer Zubehör- und Zusatzteile kann zu Personenschäden führen. Verwenden Sie Zubehör- und Zusatzteile nur für den vorgesehenen Zweck.

Wenn Sie nähere Informationen bezüglich dieses Zubehörs benötigen, wenden Sie sich bitte an Ihre örtliche Servicestelle der Firma Makita.

- Verlängerungsarm (gerades Rohr)
- Düse
- Düse für Teppich
- Bodenbürste
- Winkeldüse
- Rundbürste
- Flexibler Schlauch
- Papiertüte
- Wandhalterung für Akku-Staubsauger
- Originalakku und Ladegerät von Makita

HINWEIS:

- Einige der in der Liste aufgeführten Elemente sind dem Werkzeugpaket als Standardzubehör beigelegt. Diese können in den einzelnen Ländern voneinander abweichen.

FIGYELMEZTETÉS

A készüléket nem használhatják 8 évnél fiatalabb gyermekek, valamint csökkent fizikai, érzékelési vagy értelmi képességű személyek, illetve olyanok, akiknek nincs meg a tapasztalatuk és tudásuk ehhez, kivéve, ha valaki a biztonságos használatra megtanítja őket, ismerteti velük a lehetséges veszélyeket, és a használat közben felügyeli őket. Gyermekek ne játszanak a készülékkel. A készülék tisztítását és karbantartását felügyelet nélküli gyermekek ne végezzék.

RÉSZLETES LEÍRÁS

Modell		DCL142	DCL182	DCL182F
Teljesítmény	porzsákkal	0,50 l		
	papírbetéttel	0,33 l		
Folyamatos használat	Magas	Kb. 20 perc		
	Alacsony	Kb. 40 perc		
Teljes hossz		986 mm	1004 mm	
Tiszta tömeg		1,3 kg		
Névleges feszültség		14,4 V, egyenáram	18 V, egyenáram	

- Folyamatos kutató- és fejlesztőprogramunk eredményeként az itt felsorolt tulajdonságok figyelmeztetés nélkül megváltozhatnak.
- A műszaki adatok és az akkumulátor országoként változhatnak.
- Súly az akkumulátorral, a 01/2003 EPTA eljárás szerint meghatározva

Jelképek

A következőkben a berendezésen használt jelképek láthatók. A szerszám használata előtt bizonyosodjon meg arról hogy helyesen értelmezi a jelentésüket.



Olvassa el a használati útmutatót.



Csak EU-tagállamok számára
Az elektromos berendezéseket és akkumulátorukat ne dobja a háztartási szemétkébe!
A használt elektromos és elektronikus berendezésekről szóló európai uniós irányelv, illetve az elemekről és akkumulátorokról, valamint a hulladékelemekről és akkumulátorokról szóló irányelv, továbbá azoknak a nemzeti jogba való átültetése szerint az elhasznált elektromos berendezéseket, elemeket és akkumulátorokat külön kell gyűjteni, és környezetbarát módon kell gondoskodni újrahasznosításukról.

A gép rendeltetése

A szerszám száraz por összegyűjtésére szolgál.

FONTOS

BIZTONSÁGI UTASÍTÁSOK

Elektromos készülék használatakor tartsa be az alapvető óvintézkedéseket, beleértve a következőket:

A KÉSZÜLÉK HASZNÁLATA ELŐTT OLVASSON EL MINDEN UTASÍTÁST.

FIGYELMEZTETÉS – Tűz, áramütés vagy baleset elkerülése érdekében:

1. Ne tegye ki a készüléket esőnek. Tárolja zárt térben.
2. A készüléket ne használja játékszerként. Fokozott körültekintéssel járjon el, ha a készüléket gyermekek közelében használja.
3. A készüléket kizárólag a jelen kézikönyvben leírt módon használja. Kizárólag a gyártó által javasolt tartozékokat használja.
4. Ne használja sérült akkumulátorral. Ha a készülék nem megfelelően működik, leejtették, megsérült, kültéren hagyták vagy vízbe ejtették, vigye vissza a szervizbe.

5. Ne használja a készüléket nedves kézzel.
6. Ne zárja el tárgyakkal a készülék nyílásait. A készüléket ne használja lezárt nyílásokkal; tartsa távol a port, szőszet, haját és minden olyan tárgyat, mely csökkentheti a levegő áramlását.
7. Tartsa távol a haját, laza ruházatát, ujjait és minden testrészét a nyílásoktól és a mozgó részekétől.
8. Kapcsoljon ki minden vezérlőt, mielőtt eltávolítja az akkumulátort.
9. Legyen különösen óvatos, amikor lépcsőn végez vele takarítást.
10. Ne használja tüveszélyes vagy gyúlékony folyadékok, mint például benzin felszívására, illetve ne használja ezek környezetében.
11. Csak a gyártó által biztosított töltővel töltsen úja.
12. Ne szívjon fel vele semmilyen égő vagy füsttől gőzölgő tárgyat, mint például cigaretta, gyufa vagy forró hamu.
13. Ne használja a megfelelő helyre illesztett szűrők nélkül.
14. Ne töltsen az akkumulátort kültéren. Akkumulátoros szerszám használata és karbantartása
15. Csak a gyártó által meghatározott töltővel töltsen fel az akkumulátort. Egy olyan töltő, amely az egyik típusú akkumulátorhoz megfelelő, tüzeveszélyt okozhat, ha egy másik akkumulátorhoz használja.
16. Az elektromos szerszámokat csak a speciálisan hozzájuk tervezett akkumulátorokkal használja. Bármilyen más akkumulátor használata sérüléseket vagy tüzet okozhat.
17. Amikor nem használja az akkumulátort, tartsa távol a fémtárgyaktól, például iratkapcsoktól, érméktől, kulcsoktól, szögektől, csavaroktól vagy egyéb olyan apró fémtárgytól, amely rövidre zárhatja a pólusok kimeneteit.
18. Helytelen kezelés esetén folyadék folytathat ki az akkumulátorból, ne érintkezzen vele. Ha véletlenül mégis érintkezésbe kerülne a folyadékkal, mossa le azt vízzel.

ŐRIZZE MEG EZEKET AZ UTASÍTÁSOKAT.

A készülék kizárólag beltéri használatra alkalmas.

KIEGÉSZÍTŐ BIZTONSÁGI ELŐÍRÁSOK

1. A használat előtt figyelmesen olvassa át ezt a használati útmutatót és a töltő használati útmutatóját.
2. Ne vegye fel vele a következő anyagokat:
 - Forró anyagok, mint égő cigaretta, vagy köszörlülésből/fémvágásból származó szilánk/fémreszelék
 - Tűzveszélyes anyagok, mint például gázolin, hígító, benzin, kerozin vagy festék
 - Robbanó anyagok, mint például a nitroglicerín

- Gyúlékony anyagok, mint például alumínium, cink, magnézium, titán, foszfor vagy celluloid
 - Nedves föld, víz, olaj, vagy hasonlók
 - Kemény, éles szélű anyagok, mint például fahulladék, fém-, kő- és üvegdarabok, szegek, szegecsek vagy pengék
 - Összeragadó por, mint a cement vagy toner
 - Vezetőképes por, mint fém- vagy szénpor
 - Finom részecskék, mint például betonpor
3. Ha bármilyen rendellenességet észlel, azonnal állítsa le a szerszámot.
 4. Ha elejtette vagy valamire odaütötte a porszívót, a használat előtt gondosan ellenőrizze, hogy nincsenek-e rajta repedések vagy sérülések.
 5. Ne vigye tüzhely vagy más hőforrás közelébe.
 6. Ne zárja le a szívónyílást vagy a szellőzőnyílásokat.

ŐRIZZE MEG EZEKET AZ UTASÍTÁSOKAT.

Fontos biztonsági utasítások az akkumulátorra vonatkozóan

1. Az akkumulátor használata előtt tanulmányozza át az akkumulátortöltőn (1), az akkumulátoron (2) és az akkumulátorral működtetett terméken (3) olvasható összes utasítást és figyelmeztető jelzést.
 2. Ne szerelje szét az akkumulátort.
 3. Ha a működési idő nagyon lerövidült, azonnal hagyja abba a használatot. Ez a túlmelegedés, esetleges égések és akár robbanás veszélyével is járhat.
 4. Ha elektrolit kerül a szemébe, mossa ki azt tiszta vízzel és azonnal kérjen orvosi segítséget. Ez a látásának elvesztését okozhatja.
 5. Ne zárja rövidre az akkumulátort:
 - (1) Ne érjen az érintkezőkhöz elektromosan vezető anyagokkal.
 - (2) Ne tárolja az akkumulátort más fémtárgyakkal, mint pl. szegekkel, érmékkel, stb. egy helyen.
 - (3) Ne tegye ki az akkumulátort víznek vagy esőnek.
- Az akkumulátor rövidzárlata nagy áramerősséget, túlmelegedést, égéseket, sőt akár meghibásodást is okozhat.
6. Ne tárolja a szerszámot vagy az akkumulátort olyan helyen, ahol a hőmérséklet elérheti vagy meghaladhatja az 50 °C-ot (122 °F).
 7. Ne égesse el az akkumulátort még akkor sem, ha az komolyan megsérült vagy teljesen elhasználódott. Az akkumulátor a tűzben felrobbanhat.
 8. Vigyázzon, ne hagyja leejtse vagy megüsse az akkumulátort.
 9. Ne használjon sérült akkumulátort.

10. A készülékben található lítium-ion akkumulátorok a veszélyes árukkal kapcsolatos előírások vonatkoznak.

A termék pl. harmadik felek, fuvarozó cégek stb. által történő szállítása esetén minden esetben tartsa szem előtt a csomagoláson és a címkén található speciális követelményeket.

A termék szállításra történő felkészítése esetén vegye fel a kapcsolatot egy veszélyes anyagokkal foglalkozó szakemberrel. Kérjük, hogy az esetlegesen szigorúbb nemzeti előírásokat is vegye figyelembe.

Ragassza le a kiálló érintkezőket, illetve oly módon csomagolja be az akkumulátort, hogy az ne tudjon elmozdulni a csomagolásban.

11. Az akkumulátor ártalmatlanításakor tartsa be a helyi előírásokat.
12. Az akkumulátorokat csak a Makita által megjelölt termékekhez használja. Ha az akkumulátorokat azokkal nem kompatibilis termékekbe helyezi, az tűzhöz, túlmelegedéshez, robbanás-hoz vagy elektrolitszivárgáshoz vezethet.

ŐRIZZE MEG EZEKET AZ UTASÍTÁSOKAT.

VIGYÁZAT: Csak eredeti Makita akkumulátorokat használjon. A nem eredeti Makita akkumulátorok vagy módosított akkumulátorok használata esetén az akkumulátor felrobbanhat, ami tüzet, személyi sérülést és anyagi kárt okozhat. A Makita szerszáma és töltőre vonatkozó Makita garanciát is érvénytelenítheti.

Tippek az akkumulátor maximális élettartamának eléréséhez

1. Töltse fel az akkumulátort, mielőtt teljesen lemerülne. Állítsa le a gépet, és töltse fel az akkumulátort, ha a gép erejének csökkenését észleli.
2. Soha ne töltse újra a teljesen feltöltött akkumulátort. A túltöltés csökkenti az akkumulátor élettartamát.
3. Töltse az akkumulátort szobahőmérsékleten, 10 °C - 40 °C (50 °F - 104 °F) között. Töltés előtt hagyja lehűlni a főforrosodott akkumulátort.
4. Töltse fel az akkumulátort, ha hosszabb ideje (több mint hat hónapja) nem használta azt.

MŰKÖDÉSI LEÍRÁS

VIGYÁZAT:

- Minden esetben ellenőrizze, hogy a szerszám ki van kapcsolva és az akkumulátor eltávolításra került mielőtt beállít vagy ellenőriz valamilyen funkciót a szerszámmal.
- Figyeljen oda, nehogy az akkumulátor behelyezésekor az ábrán látható módon becsipje az ujjá(j)t a porszívó és az akkumulátor közé. Az ujj(ak) becsipődése sérülést okozhat.

► **Ábra1**

Az akkumulátor behelyezése és eltávolítása

► **Ábra2:** 1. Piros jelölés 2. Gomb 3. Akkumulátor

VIGYÁZAT:

- Mindig kapcsolja ki az eszközt, mielőtt behelyezi vagy eltávolítja az akkumulátort.
- **Az akkumulátort és a szerszámot tartsa erősen, amikor az akkumulátort a szerszáma helyezi vagy eltávolítja arról.** Amennyiben nem így jár el, a szerszám vagy az akkumulátor a kezéből kicsúszhat és megsérülhet, illetve személyi sérülést okozhat.

Az akkumulátoregység kivételéhez nyomja be az akkumulátoregység elején található gombot, és tolja ki az egységet.

Az akkumulátor beszereléséhez illessze az akkumulátor nyelvét a burkolaton található vágatba és csúsztassa a helyére. Egészen addig tolja be, amíg egy kis kattanással a helyére nem ugrik. Ha látható a piros jelölés a gomb felső oldalán, akkor a gomb nem kattant be teljesen.

VIGYÁZAT:

- Mindig tolja be teljesen az akkumulátort, amíg a piros jelölés el nem tűnik. Ha ez nem történik meg, akkor az akkumulátor kieshet a szerszámból, és Önnek vagy a környezetében másnak sérülést okozhat.
- Ne erőltesse be az akkumulátort. Ha az akkumulátor nem csúszik be könnyedén, akkor nem megfelelően lett behelyezve.

Akkumulátor védőrendszer

A porszívóba egy védelmi rendszer van beépítve, amely a hosszú élettartam biztosítása érdekében automatikusan korlátozza a kimenő teljesítményt.

A porszívó használat közben leállhat, ha a porszívó és/vagy az akkumulátor a következő helyzetbe kerül. Ezt a védelmi rendszer aktiválódása okozza, és nem jelenti a porszívó meghibásodását.

- Ha az eszköz túlterhelt:
Ilyen az esetben engedje fel a kioldókapcsolót, és szüntesse meg a túlterhelés okait, majd húzza meg újra a kioldókapcsolót az újraindításhoz.
- Ha az akkumulátor töltöttségi szintje alacsonnyá válik:
Töltse fel az akkumulátort.

A kapcsoló használata

- **Ábra3:** 1. Kikapcsológomb 2. HIHG/LOW (NAGY/ KICSÍ) gomb 3. Akkumulátoros táplálás visszajelző

A porszívó bekapcsolásához egyszerűen nyomja meg a HIGH/LOW (MAGAS/ALACSONY) gombot. A kikapcsoláshoz nyomja meg az OFF (KI) gombot. A fordulatszám módosításához nyomja meg a HIGH/LOW (MAGAS/ALACSONY) gombot. A gomb első megnyomása magas, a második megnyomás alacsony fordulatszámra kapcsol, majd minden további megnyomás a magas és az alacsony fordulatszám közötti váltást ismétli meg.

A lámpa bekapcsolása

Csak a DCL182F típus esetében

⚠ VIGYÁZAT:

- Soha ne nézzen közvetlenül a fénybe. A közvetlen fény sugárzás károsíthatja a szemét.

- **Ábra4:** 1. Kikapcsológomb 2. HIHG/LOW (NAGY/ KICSÍ) gomb 3. Akkumulátoros táplálás visszajelző 4. Lámpa

A lámpa bekapcsolásához egyszerűen nyomja meg a „MAGAS/ALACSONY” gombot. A lámpa kikapcsolásához nyomja meg a „KI” gombot.

Az akkumulátor töltöttségének jelzése

Csak állapotjelzős akkumulátorok esetén

- **Ábra5:** 1. Jelzőlámpák 2. Check (ellenőrzés) gomb

Nyomja meg az ellenőrzőgombot, hogy az akkumulátortöltöttség-jelző megmutassa a hátralévő akkumulátor-kapacitást. Ekkor a töltöttség-szint-jelző lámpák néhány másodpercre kigyulladnak.

Jelzőlámpák			Töltöttségi szint
Világító lámpa	KI	Villogó lámpa	
■	□	▬	75%-tól 100%-ig
■ ■ ■ ■	□	▬	50%-tól 75%-ig
■ ■ ■ □	□ □ □ □	▬	25%-tól 50%-ig
■ □ □ □	□ □ □ □	▬	0%-tól 25%-ig
▬ □ □ □	□ □ □ □	▬	Töltse fel az akkumulátort.
■ ■ □ □	□ □ □ □	▬	Lehetséges, hogy az akkumulátor meghibásodott.
□ □ ■ ■	□ □ □ □	▬	

MEGJEGYZÉS: Az adott munkafeltételektől és a környezet hőmérsékletétől függően a jelzett töltöttségi szint némileg eltérhet a tényleges töltöttségi szinttől.

Akkumulátoros táplálás visszajelző

- **Ábra6:** 1. Kikapcsológomb 2. HIHG/LOW (NAGY/ KICSÍ) gomb 3. Akkumulátoros táplálás visszajelző

- Az akkumulátor lemerülését a visszajelző villogása jelzi.
- Ha az akkumulátor már nagyon lemerült, a készülék működése leáll, és a visszajelző kb. tíz másodpercig világít. Ebben az esetben távolítsa el az akkumulátort, és töltsse fel.

MEGJEGYZÉS:

- A környezeti hőmérséklettől és az akkumulátor állapotától függ, hogy mikor kezd a visszajelző villogni vagy világítani.

ÖSSZESZERELÉS

⚠ VIGYÁZAT:

- Minden esetben ellenőrizze, hogy a szerszám ki van kapcsolva és az akkumulátor eltávolításra került mielőtt bármilyen műveletet végez a szerszámon.

A por kiürítése

⚠ VIGYÁZAT:

- Űrítse ki a porszívóból a port, mielőtt az túlságosan megteleik, máskülönben gyengül a szívóhatás.
- Ügyeljen rá, hogy a port a porszívó belsejéből is kiürítse. Ennek elmulasztása a szivacs-szűrő eltömődését vagy a motor károsodását okozhatja.
- Soha ne dobja el a porelzárót, mert azt mindig használni kell a porszák vagy a papírszák behelyezésekor.

- **Ábra7:** 1. Elülső fedél 2. Gomb

- Az elülső fedél felnyitásához nyomja meg a nyomógombot. Nyissa fel kattanásig, a fedél ebben a helyzetben megmarad.

- **Ábra8:** 1. Elülső fedél 2. Elülső fedél csuklópontja

MEGJEGYZÉS:

- A porszívó úgy lett kialakítva, hogy az elülső fedél lejjöjjön, ha erőltetve 90°-nál nagyobb szögbe nyitják. Ha a fedél lejtött, illeszse vissza a csuklópontokba.

⚠ VIGYÁZAT:

- Az elülső fedél becsukásakor ügyeljen ujjai épségére.

- **Ábra9:** 1. Porelzáró

- Húzza ki együtt és egyszerre a narancsszínű porelzárót és a porszákot.

- **Ábra10:** 1. Porelzáró

- **Ábra11**

- Távolítsa el a porelzárót és űrítse ki a porszívót.

Porzsák és papírzsák

A porszívó használata előtt helyezzen be egy porzsákot vagy egy papírzsákot.

A porzsák vagy a papírzsák behelyezésekor használja a porelzárót. Ha megtisztítja, a porzsákot többször is használhatja. A papírzsák eldobható típusú. Amikor megtelt, dobja ki a papírzsákot anélkül, hogy kiürítené.

A porzsák felhelyezése

► **Ábra12:** 1. Porelzáró felső oldal 2. Porelzáró alsó oldal

Használja a porelzárót a porzsák behelyezésekor. Figyeljen oda, nehogy véletlenül megfordítsa, mert a felső és alsó oldalak különbözőek.

► **Ábra13:** 1. Porelzáró 2. Horony 3. Porzsák

1. Illessze a porzsák kiemelkedő részét a porelzárón található vájatba, az ábrán látható módon.

► **Ábra14:** 1. Alsó vajat

2. Nincs különbség a porzsák felső és alsó része között. Bármelyik oldalon található kiemelkedést beillesztheti a porelzáró található alsó vájatba.

► **Ábra15**

3. Illessze egymáshoz a porelzáró keretét és a porzsák keretét.

► **Ábra16:** 1. Porszívó ürege

4. Helyezze a porelzárót és a porzsákot a porszívóban levő üregbe úgy, hogy a porelzárón található nyíl befelé nézzen. Tolja be teljesen a porszívó üregében található részbe.

► **Ábra17**

5. Helyezze a porzsák szövet részét a szerszám belsejébe.

► **Ábra18:** 1. Elülső fedél

6. Zárja be teljesen az elülső fedelet.

A papírzsák behelyezése

► **Ábra19**

1. Hajtsa ki a papírzsák száját mielőtt ráhelyezi azt a porelzáróra.

► **Ábra20:** 1. Porelzáró felső oldal 2. Porelzáró alsó oldal

Használja a porelzárót a papírzsák behelyezésekor is. Figyeljen oda, nehogy véletlenül megfordítsa, mert a felső és alsó oldalak különbözőek.

► **Ábra21:** 1. Porelzáró 2. Papírzsák 3. Horony

2. Illessze a papírzsák kiemelkedő részét a porelzárón található vájatba, az ábrán látható módon.

► **Ábra22:** 1. Alsó vajat

3. Nincs különbség a papírzsák felső és alsó része között. Bármelyik oldalon található kiemelkedést beillesztheti a porelzáró található alsó vájatba.

► **Ábra23**

4. Illessze egymáshoz a porelzáró és a papírzsák keretét.

► **Ábra24:** 1. Porszívó ürege

5. Helyezze a porelzárót és a papírzsákot a porszívóban levő üregbe úgy, hogy a porelzárón található nyíl befelé nézzen. Tolja be teljesen a porszívó üregében található részbe.

► **Ábra25**

6. Helyezze a papírzsák teljes tárolórészét a gép belsejébe.

7. Zárja be teljesen az elülső fedelet.

⚠ VIGYÁZAT:

- Ha nem helyezi be a porzsákot vagy a papírzsákot, vagy a porelzárót a porzsákkal illetve a papírzsákkal nem tolja be teljesen a részbe, vagy ha zsák lyukas vagy szakadt, akkor por kerülhet a motorba. Ez a motor meghibásodását okozhatja.
- Ne hajtsa meg a kartont a nyílásnál a papírzsák behelyezésekor.
- Soha ne dobja el a porelzárót, mert azt mindig használni kell a porzsák vagy a papírzsűrő behelyezésekor.
- A papírbetét a készülék teljesítményének fenntartásához szükséges fontos elem. A nem eredeti papírbetét használata füstöt vagy szikrapépződést eredményezhet.

ÜZEMELTETÉS

⚠ VIGYÁZAT:

- A tartozékok, mint például a szívófej, csatlakozásához helyezze be a tartozékot a nyíl irányába elforgatva, hogy biztosan rögzítve legyen a használat közben. A tartozék eltávolításához szintén a nyíl irányába elforgatva húzza azt ki.

► **Ábra26**

Tisztítás (porszívós)

Shívófej

Csatlakoztassa a szívófejet asztalok, íróasztalok, bútorok, stb. tisztításakor. A szívófej könnyedén rácsúsztható a csonkra.

► **Ábra27:** 1. Fúvóka

Shívófej + csőtoldal (egyenes cső)

A csőtoldal a szívófej és a porszívó közé illeszthető be. Az így összeszerelt készülékkel kényelmesen, felegyenesedve tisztítható a padló.

► **Ábra28:** 1. Porszívó burkolata 2. Csőtoldal 3. Fúvóka

Sarokfúvóka

Csatlakoztassa a saroktisztító fejhez sarkok és az autógabótörök részeinek tisztításához.

► **Ábra29:** 1. Porszívó burkolata 2. Saroktisztító fej

Saroktisztító fej + csőtoldal (egyenes cső)

Olyan szűk terekben, ahová maga a porszívó nem férne be, vagy nehezen elérhető, magas helyeken használja ezt az összeállítást.

► **Ábra30:** 1. Porszívó burkolata 2. Csőtoldal 3. Saroktisztító fej

Tisztítás szívófej nélkül

Port és szennyeződést a szívófej nélkül is felszívhat.

► **Ábra31**

KARBANTARTÁS

⚠ VIGYÁZAT:

- Mindig ellenőrizze, hogy a szerszám ki van kapcsolva, mielőtt át akarja vizsgálni azt, vagy karbantartást végez rajta.

A használat után

MEGJEGYZÉS:

- Ha a porszívót egyéb támasz nélkül a falnak támasztja, akkor eldőlhethet és károsodhat.

► **Ábra32**

Tisztítás

► **Ábra33**

Időnként törölje át szappanos vízzel megnedvesített rongy segítségével a porszívó külső felületeit (a készülék házát).

Tisztítsa ki a szívónyílást, a porzsák/papírzsák rögzítési helyének környezetét és a porelzárót.

⚠ VIGYÁZAT:

- Soha ne használjon gázolajt, benzint, hígítót, alkoholt vagy hasonló anyagokat. Ezek elszineződést, alakvesztést vagy repedést okozhatnak.

► **Ábra34**

Szappanos vízben mossa ki a porzsákat, ha az eltömődött és a szívóhatás lecsökken. Használat előtt alaposan szárítsa meg. A nem teljesen száraz porzsák miatt csökkenhet a készülék szívóhatása, és lerövidülhet a motor élettartama.

Javítás kérése előtt ellenőrizendő dolgok

Tünet	Átvizsgálendő terület	Rögzítési módszer
Gyenge szívóteljesítmény	Nem telt meg a porzsák vagy a papírbetét porral?	Üritse ki a porzsákat vagy a papírbetétet.
	Nem tömődött el a porzsák?	Porolja ki, vagy mossa ki a porzsákat.
	Nem tömődött el a papírbetét?	Cserélje ki a papírbetétet.
	Nem merült le az akkumulátor?	Töltse fel az akkumulátort.
Nem működik	Nem merült le az akkumulátor?	Töltse fel az akkumulátort.

MEGJEGYZÉS:

- Ne próbálja egyedül megjavítani a porszívót.

A termék BIZTONSÁGÁNAK és MEGBÍZHATÓSÁGÁNAK fenntartásához, a javításokat, bármilyen egyéb karbantartást vagy beszbabályozást a Makita Autorizált Szervizközpontoknak kell végrehajtaniuk, mindig Makita pótkatrészek használatával.

MEGJEGYZÉS:

- A papírzsák eldobható típusú.

Ha a szivacsoszűrő eltömődött, vegye le a porszívóról és törölje le vagy mossa ki vízben.

A szivacsoszűrő eltávolítása és visszahelyezése

► **Ábra35:** 1. Szivacsoszűrő

A szivacsoszűrő eltávolításához előbb vegye ki a porzsákat vagy a papírzsákat, majd összecsapva vegye ki a szűrőt.

► **Ábra36:** 1. Bemélyedés

Nyomja be a szivacsoszűrő szélét a porzsák/papírzsák rögzítési helyén, belül található süllyesztett falhoz.

⚠ VIGYÁZAT:

- A szivacsoszűrőt a tisztítást követően helyezze vissza a porszívóba. Ha vízben mosta, szárítsa meg alaposan a visszahelyezés előtt. A nem eléggé száraz szivacsoszűrő csökkentheti a motor élettartamát.

Fali tartó vezetől nélküli porszívóhoz

Opcionális kiegészítők

MEGJEGYZÉS: A tartó rögzítéséhez szükséges csavar nem tartozék. Készítsen elő olyan csavart, amely illeszkedik az anyaghoz, amibe csavarni kell.

Szerelje a vezetől nélküli porszívó fali tartóját keményfából készült falra, gerendára vagy oszlopra, ahová biztonságosan lehet rögzíteni az vezetől nélküli porszívó fali tartóját. A porszívó felakasztása előtt mindig győződjön meg róla, hogy a vezetől nélküli porszívó fali tartója biztonságosan van rögzítve.

► **Ábra37:** 1. Fali tartó vezetől nélküli porszívóhoz

⚠ VIGYÁZAT: Ne akassza a porszívót hevesen a fali tartóra, és ne akasszon rá a porszívón kívül más készülékeket.

OPCIONÁLIS KIEGÉSZÍTŐK

⚠ VIGYÁZAT:

- Az Ön által vásárolt Makita porszívón a jelen kézikönyvben felsorolt kiegészítők és tartozékok használata javasolt. Bármilyen más kiegészítő vagy tartozék használata személyi sérülés kockázatával jár. A kiegészítőket vagy tartozékokat csak rendeltetészerűen használja.

Ha bármilyen segítségre vagy további információra van szüksége ezekkel a tartozékokkal kapcsolatban, keresse fel a helyi Makita Szervizközpontot.

- Csőtoldal (egyenes cső)
- Szívófej
- Szőnyegkefe
- Padlókefe
- Sarokfúvóka
- Körkefe
- Hajlékony cső
- Papírsák
- Fali tartó vezető nélküli porszívóhoz
- Eredeti Makita akkumulátor és töltő

MEGJEGYZÉS:

- A listán felsorolt néhány kiegészítő megtalálható az eszköz csomagolásában standard kiegészítőként. Ezek országonként eltérőek lehetnek.

VAROVANIE

Toto náradie môžu používať deti staršie ako 8 rokov a osoby so zníženými fyzickými, zmyslovými a duševnými schopnosťami alebo nedostatočnou skúsenosťou, ak pracujú pod dohľadom alebo na základe vydaných pokynov o používaní náradia bezpečným spôsobom a chápu možné riziká. Deti sa s náradím nesmú hrať. Deti bez dozoru nesmú vykonávať čistenie a údržbu.

TECHNICKÉ ÚDAJE

Model		DCL142	DCL182	DCL182F
Kapacita	s vrecom na prach	0,50 l		
	s papierovým vrecom	0,33 l		
Spojité používanie	Vysoké	Približne 20 min		
	Nízke	Približne 40 min		
Celková dĺžka		986 mm	1004 mm	
Hmotnosť netto		1,3 kg		
Menovité napätie		Jednosmerný prúd 14,4 V	Jednosmerný prúd 18 V	

- Vzhľadom k neustálemu výskumu a vývoju tu uvedené technické údaje podliehajú zmenám bez upozornenia.
- Technické špecifikácie a typ akumulátora sa môžu v rámci jednotlivých krajín líšiť.
- Hmotnosť s akumulátorom podľa postupu EPTA 01/2003

Symbody

Nižšie sú uvedené symboly, s ktorými sa môžete pri použití nástroja stretnúť. Je dôležité, aby ste skôr, než s ním začnete pracovať, pochopili ich význam.



Prečítajte si návod na obsluhu.



Len pre štáty EÚ
Nevyhadzujte elektrické zariadenia alebo batériu do komunálneho odpadu!
Podľa európskej smernice o nakladaní s použitými elektrickými a elektronickými zariadeniami a smernice o batériách a akumulátoroch a odpadových batériách a akumulátoroch a ich implementovaní, ako aj podľa zodpovedajúcich ustanovení právnych predpisov jednotlivých krajín, je nutné elektrické zariadenia a batérie po skončení ich životnosti triediť a odovzdať na zberné miesto vykonávajúce environmentálne kompatibilné recyklovanie.

Účel použitia

Tento nástroj je určený na zhromažďovanie suchého prachu.

DÔLEŽITÉ

BEZPEČNOSTNÉ POKYNY

Počas používania elektrického náradia je potrebné vždy dodržiavať základné bezpečnostné opatrenia vrátane nasledujúcich:

PRED POUŽITÍM TOHTO NÁRADIA SI PREČÍTAJTE VŠETKY POKYNY.

VÝSTRAHA - Za účelom zníženia rizika vzniku požiaru, zasiahnutia elektrickým prúdom alebo poranenia:

1. Nevystavujte účinkom dažďa. Skladujte v interiéri.
2. Zabráňte, aby sa spotrebič používal ako hračka. Pokiaľ sa na mieste používania vyskytujú deti, je potrebné dávať veľký pozor.
3. Používajte len podľa pokynov v tomto návode. Používajte jedine doplnky schválené výrobcom.
4. Poškodený akumulátor nepoužívajte. Pokiaľ náradie nefunguje správnym spôsobom, spadlo, došlo k jeho poškodeniu, bolo ponechané vonku alebo spadlo do vody, zaneste ho do servisného strediska.
5. S náradím nemanipulujte mokrymi rukami.
6. Do otvorov nepchajte žiadne predmety. Nepoužívajte, pokiaľ sú otvory zablokované; chráňte pred prachom, vláknami, vlasmi a všetkým, čo môže znížiť tok vzduchu.

7. Vlasy, voľný odev, prsty a všetky časti tela chráňte v dostatočnej vzdialenosti od otvorov a pohyblivých súčastí.
 8. Pred vybratím akumulátora vypnite všetky ovládacie prvky.
 9. Maximálnu pozornosť venujte čisteniu na schodoch.
 10. Nepoužívajte na zbieranie horľavých alebo zápalných tekutín, ako je benzín, ani nepoužívajte na miestach, kde sa môžu vyskytovať.
 11. Na nabíjanie používajte jedine nabíjačku dodanú výrobcom.
 12. Nezberajte nič čo horí alebo dymí, ako sú cigarety, zápalky alebo horúci popol.
 13. Nepoužívajte bez nasadených filtrov.
 14. Akumulátor nenabíjajte v exteriéri.
- Používanie a starostlivosť o akumulátorový nástroj**
15. Nabíjajte len s nabíjačkou určenou výrobcom. Pri použití nabíjačky, ktorá je vhodná pre určitý typ akumulátorovej jednotky, na nabíjanie iného typu akumulátorovej jednotky vzniká riziko požiaru.
 16. Elektrické nástroje používajte len s konkrétnymi určenými akumulátorovými jednotkami. Pri použití akýchkoľvek iných akumulátorových jednotiek vzniká riziko poranenia alebo požiaru.
 17. Keď sa blok akumulátora práve nepoužíva, skladujte ho mimo iných kovových predmetov ako sú kancelárske spony, mince, kľúče, klince, skrutky alebo iné malé kovové predmety, ktoré by mohli koncovky akumulátora skratovať.
 18. Pri nevhodných podmienkach môže z akumulátora vytekať tekutina; vyhnite sa kontaktu s ňou. Pri náhodnom kontakte opláchnite vodou.

TIETO POKYNY USCHOVAJTE.

Toto zariadenie nie je určené na použitie v domácnostiach.

ĎALŠIE BEZPEČNOSNÉ ZÁSADY

1. Pred použitím si pozorne prečítajte tento návod na obsluhu a návod na obsluhu nabíjačky.
2. Nezberajte nasledujúce materiály:
 - Horúce materiály, ako sú horiace cigarety alebo iskriaci/kovový prach vytváraný pri rozbrusovaní/rezaní kovu
 - Horľavé materiály, ako je benzín, zmäkčovadlo, benzol, petrolej alebo náterové hmoty
 - Výbušné materiály, ako je nitroglycerín
 - Zápalné materiály, kovy, hliník, zinok, magnézium, titán, fosfor a celuloid
 - Mokrá špinu, vodu, olej a podobné materiály
 - Tvrdé kusy s ostrými hranami, ako sú drevené triesky, kovy, kamene, sklo, klince, špendlíky alebo žiletky
 - Prachové materiály vytvárajúce chuchvalce, ako je cement či toner
 - Vodivý prach, ako je kov alebo uhlík
 - Jemné častice, ako je betónový prach
 Takéto činnosti môžu mať za následok vznik požiaru, poranenia a/alebo poškodenia majetku.
3. Ak spozorujete niečo nezvyčajné, okamžite zastavte prácu.
4. Ak vám čistič spadne alebo nim narazíte, pred ďalším použitím pozorne skontrolujte, či na ňom nie sú praskliny alebo iné poškodenie.

5. Neprinášajte ho do blízkosti sporákov či iných zdrojov tepla.
6. Neblokujte vstupný otvor ani vetracie otvory.

TIETO POKYNY USCHOVAJTE.

Dôležité bezpečnostné a prevádzkové pokyny pre akumulátor

1. Pred použitím akumulátora si prečítajte všetky pokyny a výstažné označenia na (1) nabíjačke akumulátorov, (2) akumulátore a (3) produkte používajúcom akumulátor.
2. Akumulátor nerozoberajte.
3. Ak sa doba prevádzky príliš skráti, ihneď prerušte prácu. Môže nastať riziko prehriatia, možných popálením či dokonca explózie.
4. V prípade zasiahnutia očí elektrolytom ich vypláchnite čistou vodou a okamžite vyhľadajte lekársku pomoc. Môže dôjsť k strate zraku.
5. Akumulátor neskratujte:
 - (1) Nedotýkajte sa konektorov žiadnym vodičným materiálom.
 - (2) Neskladujte akumulátor v obale s inými kovovými predmetmi, napríklad klíncami, mincami a pod.
 - (3) Akumulátor nevystavujte vode ani dažďu. Skrat akumulátora môže spôsobiť veľký tok prúdu, prehriatie, možné popáleniny či dokonca poruchu.
6. Neskladujte nástroj ani akumulátor na miestach s teplotou presahujúcou 50 °C (122 °F).
7. Akumulátor nespálujte, ani keď je vážne poškodený alebo úplne opotrebovaný. Akumulátor môže v ohni explodovať.
8. Dávajte pozor, aby akumulátor nespadol, a nevystavujte ho nárazom.
9. Nepoužívajte poškodený akumulátor.
10. Litium-iónové akumulátory, ktoré sú súčasťou náradia, podliehajú požiadavkám legislatívy o nebezpečnom tovare.

V prípade obchodnej prepravy, napr. dodanie tretími stranami či špeditériami, sa musia dodržiavať špeciálne požiadavky na zabalenie a označenie. Pred prípravou položky na odoslanie sa vyžaduje konzultácia s odborníkom na nebezpečný materiál. Taktiež treba dodržiavať potenciálne podrobnejšie predpisy príslušnej krajiny.

Prelepte alebo zakryte otvorené kontakty a zabaľte akumulátor tak, aby sa v balíku nemohol voľne pohybovať.
11. Akumulátor zlikvidujte v súlade s miestnymi nariadeniami.
12. Akumulátory používajte iba s výrobkami uvedenými spoločnosťou Makita. Inštalácia akumulátorov do nevyhovujúcich výrobkov môže spôsobiť požiar, nadmerné teplo, výbuch alebo únik elektrolytu.

TIETO POKYNY USCHOVAJTE.

⚠ POZOR: Používajte len originálne akumulátory od spoločnosti Makita. Používanie batérií, ktoré nie sú od spoločnosti Makita, alebo upravených batérií môže spôsobiť výbuch batérie a následný požiar, zranenie osôb alebo poškodeniu majetku. Následkom bude aj zrušenie záruky od spoločnosti Makita na nástroj a nabíjačku od spoločnosti Makita.

Rady na udržanie maximálnej životnosti akumulátora

1. Akumulátor nabíjajte ešte predtým, ako sa úplne vybije. Vždy prerušte prácu s nástrojom a nabíjajte akumulátor, keď spozorujete nižší výkon nástroja.
2. Nikdy nenabíjajte plne nabitý akumulátor. Prebíjanie skracuje životnosť akumulátora.
3. Akumulátor nabíjajte pri izbovej teplote 10 °C – 40 °C (50 °F – 104 °F). Pred nabíjaním nechajte horúci akumulátor vychladnúť.
4. Litium-iónový akumulátor nabíjajte, ak ste ho nepoužívali dlhšie ako šesť mesiacov.

POPIS FUNKCIE

⚠ POZOR:

- Pred úpravou alebo kontrolou funkčnosti nástroja vždy skontrolujte, či je nástroj vypnutý a blok akumulátora je vybratý.
- Dávajte pozor, aby sa vám pri vkladaní akumulátora do priestoru medzi vysávač a akumulátor nezachytili prsty. Dôsledkom zachytenia prstov môže byť poranenie.

► Obr.1

Inštalácia alebo demontáž kazety akumulátora

► Obr.2: 1. Červený indikátor 2. Tlačidlo 3. Kazeta akumulátora

⚠ POZOR:

- Pred inštaláciou alebo vybratím akumulátora náradie vždy vypnite.
- Pri vkladaní alebo vyberaní akumulátora uchopte pevne náradie aj akumulátor. Opomenutie pevne uchopiť náradie a akumulátor môže mať za následok ich vyšmyknutie z rúk s dôsledkom poškodenia náradia a batérie, ako aj osobných poranení.

Ak chcete vybrať akumulátor, vysuňte ho zo zariadenia, pričom posuňte tlačidlo na prednej strane akumulátora. Akumulátor vložíte tak, že jazyk akumulátora nasmerujete na ryhu v kryte a zasuniete ju na miesto. Zatlačte ho úplne, kým zakliknutím nezapadne na miesto. Ak vidíte červený indikátor na hornej strane tlačidla, nie je správne zapadnutý.

⚠ POZOR:

- Akumulátor vždy nainštalujte úplne, až kým nie je vidieť červený indikátor. V opačnom prípade môže náhodne vypadnúť z náradia a ublížiť vám alebo osobám v okolí.
- Pri inštalovaní jednotky akumulátora nepoužívajte silu. Ak sa jednotka nedá zasunúť ľahko, nekladáte ju správne.

System ochrany batérie

Vysávač je vybavený systémom ochrany, ktorý automaticky preruší výstupný výkon pre dosiahnutie maximálnej životnosti. Vysávač sa počas prevádzky zastaví v prípade, ak vysávač a/alebo akumulátor budú v rámci nasledujúcich situácií. Zastavenie je spôsobené aktivovaním systému ochrany a nepredstavuje chybu vysávača.

- Pokiaľ je vysávač preťažený:
V takomto prípade uvoľnite vypínač a odstráňte príčinu preťaženia; následne vypínač opätovne potiahnite a náradie spustíte.
- Pokiaľ je zostatková kapacita nabitia akumulátora nízka: Batériu nabíjajte.

Zapínanie

► Obr.3: 1. Tlačidlo vypnutia 2. Tlačidlo HIGH/LOW 3. Indikátor výkonu akumulátora

Vysávač sa spúšťa jednoduchým stlačením tlačidla „HIGH/LOW“. Pokiaľ chcete náradie vypnúť, stlačte tlačidlo „OFF“. Pokiaľ chcete zmeniť otáčky vysávača, stlačte tlačidlo „HIGH/LOW“. Prvým stlačením tohto tlačidla zapnete vysoké otáčky a druhým stlačením tlačidla zapnete nízke otáčky; následne každým stlačením tlačidla zapnete vysokých/nízkych otáčok.

Zapnutie lampy

Len pre Model DCL182F

⚠ POZOR:

- Nikdy sa nepozerajte priamo do svetla. Priame svetlo vám poškodí zrak.

► Obr.4: 1. Tlačidlo vypnutia 2. Tlačidlo HIGH/LOW 3. Indikátor výkonu akumulátora 4. Svetlo

Lampu zapnete jednoduchým stlačením tlačidla „HIGH/LOW“ (VYSOKÉ/NÍZKE). Lampu vypnete stlačením tlačidla „OFF“ (VYP).

Indikácia zvyšnej kapacity akumulátora

Len na akumulátory s indikátorom

► Obr.5: 1. Indikátor 2. Tlačidlo kontroly

Stlačením tlačidla kontroly na akumulátore zobrazíte zostávajúcu kapacitu akumulátora. Indikátory sa na niekoľko sekúnd rozsvietia.

Indikátory			Zostávajúca kapacita
Svieti	Nesvieti	Bliká	
■ ■ ■ ■			75 % až 100 %
■ ■ ■ □			50 % až 75 %
■ ■ □ □			25 % až 50 %
■ □ □ □			0 % až 25 %
▣ □ □ □			Akumulátor nabíjajte.
■ □ □ □			Akumulátor je možno chybný.
□ □ ■ ■			

POZNÁMKA: V závislosti od podmienok používania a v závislosti od okolitej teploty sa môže zobrazenie mierne odlišovať od skutočnej kapacity.

Indikátor výkonu akumulátora

► **Obr.6:** 1. Tlačidlo vypnutia 2. Tlačidlo HIGH/LOW 3. Indikátor výkonu akumulátora

- Pokiaľ je zostávajúce nabitie akumulátora nízke, indikátor výkonu akumulátora bliká.
- Pokiaľ zostávajúce nabitie akumulátora ešte viac poklesne, náradie sa zastaví a indikátor výkonu akumulátora sa na asi desať sekúnd rozsvieti. Vtedy vyberte akumulátor z náradia a nabite ho.

POZNÁMKA:

- Čas, kedy začne indikátor výkonu akumulátora blikáť alebo svietiť závisí na teplote na pracovisku a na stave kazety akumulátora.

MONTÁŽ

▲POZOR:

- Pred vykonaním akejkoľvek práce na nástroji vždy skontrolujte, či je nástroj vypnutý a kazeta akumulátora je vybratá.

Zneškodňovanie prachu

▲POZOR:

- Vyprázdnite čistič ešte pred úplným zaplnením, inak bude sacia sila slabnúť.
- Dbajte na to, aby ste vysypali aj prach vnútri samotného čističa. V opačnom prípade môže dôjsť k upchatiu penového filtra alebo poškodeniu motora.
- Zachytávač prachu nikdy nevyhadzujte, pretože sa musí používať vždy pri použití vrečka na prach alebo papierového vrečka.

► **Obr.7:** 1. Predný kryt 2. Tlačidlo

1. Stlačením tlačidla otvorte predný kryt. Otváranie až dokiaľ nezačujete kliknutie zabezpečuje spoľahlivé zastavenie v tejto polohe.

► **Obr.8:** 1. Predný kryt 2. Spoj na prednom kryte

POZNÁMKA:

- Vysávač je skonštruovaný tak, aby sa predný kryt vysunul pri pokuse o otvorenie predného krytu pri uhle väčšom ako 90°. Pokiaľ sa predný kryt vysunie, zasunite ho na miesto, do spojky predného krytu.

▲POZOR:

- Pri zatváraní predného krytu dávajte pozor, aby ste si neprivreli prsty.

► **Obr.9:** 1. Zachytávač prachu

2. Súčasne spolu vytiahnite oranžový zachytávač prachu aj vrečko na prach.

► **Obr.10:** 1. Zachytávač prachu

► **Obr.11**

3. Odstráňte zachytávač prachu a vyprázdnite čistič.

Nádobka na prach a papierové vrečko

Pred použitím čističa vložte buď nádobku na prach alebo papierové vrečko.

Pri vkladaní nádoby na prach lebo papierového vrečka použite zachytávač prachu.

Vrečko na prach možno po vyčistení používať opakovane.

Papierové vrečko je jednorazového typu. Po naplnení vyhodte celé papierové vrečko, nevyprázdňujte ho.

Nasadenie prachového vrečúška

► **Obr.12:** 1. Horná strana zachytávača prachu 2. Dolná strana zachytávača prachu

Pri vkladaní vrečka na prach použite zachytávač prachu. Dávajte pozor, aby ste omylom nezamenili hornú stranu s dolnou stranou, lebo sú rozdielne.

► **Obr.13:** 1. Zachytávač prachu 2. Drážka 3. Vrečko na prach

1. Vložte výčnelok vrečka na prach do drážky v zachytávači prachu podľa vyobrazenia na obrázku.

► **Obr.14:** 1. Spodná drážka

2. Medzi hornou a dolnou stranou vrečka na prach nie je žiadny rozdiel. Do spodnej drážky zachytávača prachu môžete vložiť jeho výčnelok na ľubovoľnej strane.

► **Obr.15**

3. Prekryte rámik zachytávača prachu rámikom vrečka na prach.

► **Obr.16:** 1. Dutina čističa

4. Vložte zachytávač prachu a vrečko na prach spoločne do dutiny čističa v smere šípky na zachytávači prachu. Vložte ich úplne do štrbín v dutine čističa.

► **Obr.17**

5. Vložte celú plátnovú časť vrečka na prach do samotného nástroja.

► **Obr.18:** 1. Predný kryt

6. Predný kryt zatvorte úplne.

Inštalácia papierového vrečka

► **Obr.19**

1. Pred nasadením papierového vrečka na zachytávač prachu roztvorte jeho vstup.

► **Obr.20:** 1. Horná strana zachytávača prachu 2. Dolná strana zachytávača prachu

Aj pri inštalácii papierového vrečka použite zachytávač prachu. Dávajte pozor, aby ste omylom nezamenili hornú stranu s dolnou stranou, pretože sú rozdielne.

► **Obr.21:** 1. Zachytávač prachu 2. Papierové vrečko 3. Drážka

2. Vložte výčnelok papierového vrečka do drážky v zachytávači prachu podľa zobrazenia na obrázku.

► **Obr.22:** 1. Spodná drážka

3. Medzi hornou a dolnou stranou papierového vrečka nie je žiadny rozdiel. Do spodnej drážky zachytávača prachu môžete vložiť jeho výčnelok na ľubovoľnej strane.

► Obr.23

4. Prekryte rám zachytávača prachu rámom papierového vrečka.

► Obr.24: 1. Dutina čističa

5. Vložte zachytávač prachu a papierové vrečko spoločne do priestoru vo vysávači v smere šípky na zachytávači prachu. Vložte ich až na doraz do otvorov v priestore vo vysávači.

► Obr.25

6. Vložte celú zásobníkovú časť papierového vrečka do nástroja.

7. Predný kryt zatvorte úplne.

▲POZOR:

- Keď zabudnete vložiť nádobku na prach alebo vrečko na prach, keď nevložíte zachytávač prachu spolu s nádobkou na prach alebo vrečkom na prach úplne do štrbín alebo keď použijete poškodenú alebo roztrhnutú nádobku, do motora môže vniknúť prach. To môže spôsobiť poruchu motora.
- Neohýňajte lepenku v tomto otvore pri vkladaní papierového vrečka.
- Zachytávač prachu nikdy nevyhadzujte, pretože sa musí používať opakovane vždy pri použití vrečka na prach alebo papierového vrečka.
- Papierové vrečko určené pre vysávač je dôležitý prvok pre zachovanie výkonu náradia. Používanie iných ako originálnych papierových vrečiek môže spôsobiť dymenie alebo vznietenie.

PRÁCA

▲POZOR:

- Ak chcete pripojiť príslušenstvo, ako je nástavec, otočte a zasuňte príslušenstvo v smere šípky a počas používania skontrolujte bezpečnosť pripojenia. Pokiaľ chcete odpojiť nástavec, vytiahnite pri súčasnom otočení v smere šípky.

► Obr.26

Čistenie (sanie)

Dýza

Nasadte dýzu, keď chcete čistiť stoly, nábytok a pod. Dýza ľahko kľže.

► Obr.27: 1. Dýza

Dýza + predlžovacia tyč (rovná trubica)

Predlžovacia tyč sa vkladá medzi dýzu a samotný čistič. Toto usporiadanie je pohodlné na čistenie podlahy vo vzpriamenom postoji.

► Obr.28: 1. Hlavná časť vysávača 2. Predlžovacia tyč 3. Dýza

Rohová dýza

Nasadte rohovú dýzu, keď chcete čistiť rohy a štrbiny v aute alebo na nábytku.

► Obr.29: 1. Hlavná časť vysávača 2. Rohová dýza

Rohová dýza + predlžovacia tyč (rovná trubica)

Toto usporiadanie použijete v tesných rohoch, kam sa samotný čistič nepretlačí, alebo na vysokých ťažko dosiahnuteľných miestach.

► Obr.30: 1. Hlavná časť vysávača 2. Predlžovacia tyč 3. Rohová dýza

Vysávanie bez nástavca

Prášok a prach môžete vysávať aj bez nástavca.

► Obr.31

ÚDRŽBA

▲POZOR:

- Pred vykonaním kontroly alebo údržby vždy skontrolujte, či je nástroj vypnutý.

Po použití

POZNÁMKA:

- Opretie vysávača o stenu bez akejkoľvek inej podpory môže spôsobiť pád a poškodenie vysávača.

► Obr.32

Čistenie

► Obr.33

Z času na čas utrite vonkajšie plochy (telo čističa) pomocou tkaniny navlhčenej v mydlovej vode. Vyčistite aj sací otvor, miesto pripojenia vrečka na prach/papierového vrečka a zachytávač prachu.

▲POZOR:

- Nepoužívajte benzín, riedidlo, alkohol ani nič podobné. Mohlo by to spôsobiť zmenu farby, deformácie alebo praskliny.

► Obr.34

Keď je nádobka na prach upchatá prachom a čistiaci výkon slabne, umyte ju v mydlovej vode. Pred použitím ju dôkladne vysušte. Nedostatočne vysušená nádobka môže zapríčiniť slabé sanie a skracovať životnosť motora.

POZNÁMKA:

- Papierové vrečko slúži na jednorazové použitie.

Keď je penový filter upchatý prachom, vyberte ho z čističa a utrite ho alebo umyte vodou.

Demontáž a inštalácia penového filtra

► **Obr.35:** 1. Penový filter

Ak chcete vybrať penový filter, vyberte vrečko na prach alebo papierové vrečko, potom ho zovrite a vyberte.

► **Obr.36:** 1. Plocha s výklenkom

Zatlačte celý okraj penového filtra proti stene s výklenkom vnútri miesta pripevnenia vrečka na prach/papierového vrečka.

▲POZOR:

- Po vyčistení penového filtra ho nezabudnite namontovať na čistič. Ak ste ho umyli vo vode, pred namontovaním ho vysušte. Nedostatočne vysušený penový filter môže skracovať životnosť motora.

Nástenný držiak pre akumulátorový vysávač

Voliteľné príslušenstvo

POZNÁMKA: Skrutka na montáž držiaka nie je súčasťou balenia. Pripravte si skrutku, ktorá je vhodná pre materiál, do ktorého ju chcete zavŕtať.

Nástenný držiak pre akumulátorový vysávač pripevnite na tvrdú drevenú stenu, trám alebo stĺp, kde sa nástenný držiak pre akumulátorový vysávač dá pevne prichytiť. Pred zavesením vysávača sa uistite, že nástenný držiak pre akumulátorový vysávač je pevne prichytený.

► **Obr.37:** 1. Nástenný držiak pre akumulátorový vysávač

▲POZOR: Vysávač nevešajte na nástenný držiak prudko, ani na držiak nevešajte iné predmety ako vysávač.

Skôr, ako požiadate o vykonanie opravy skontrolujte nasledujúce

Príznak	Čo treba pozrieť	Spôsob nápravy
Slabí sací výkon	Je vrečko na prach alebo papierové vrečko plné prachu?	Vrečko na prach alebo papierové vrečko vyprázdňte.
	Je vrečko na prach zanesené?	Vrečko na prach vyprášte alebo vyperte.
	Je papierové vrečko zanesené?	Vymeňte papierové vrečko.
	Je vybitý akumulátor?	Blok akumulátora nabite.
Nefunguje	Je vybitý akumulátor?	Blok akumulátora nabite.

POZNÁMKA:

- Opravu sa nepokúšajte vykonať vlastnými rukami.

Vďaka zachovaniu BEZPEČNOSTI a SPOLIAHLIVOSTI výrobkov musia byť opravy a akákoľvek ďalšia údržba či nastavovanie robené autorizovanými servisnými strediskami firmy Makita a s použitím náhradných dielov Makita.

VOLITEĽNÉ PRÍSLUŠENSTVO

▲POZOR:

- Tieto doplnky a príslušenstvo sú odporúčané pre použitie s vysávačom značky Makita uvedeným v tomto návode. Používanie iného, než ako odporúčaného príslušenstva a doplnkov môže mať za následok riziko úrazu osôb. Príslušenstvo používajte odporúčaným spôsobom a iba na účely, pre ktoré je určené.

- Kečka na vysávanie políc
- Rohová dýza
- Okrúhla kečka
- Ohybná hadica
- Papierové vrečko
- Nástenný držiak pre akumulátorový vysávač
- Originálna batéria a nabíjačka Makita

POZNÁMKA:

- Niektoré položky zo zoznamu môžu byť súčasťou balenia náradia vo forme štandardného príslušenstva. Rozsah týchto položiek môže byť v každej krajine odlišný.

Ak potrebujete bližšie informácie týkajúce sa tohoto príslušenstva, obráťte sa na vaše miestne servisné stredisko firmy Makita.

- Predžŕovacia tyč (rovná trubica)
- Dýza
- Nástavec na vysávanie kobercov

VAROVÁNÍ

Zařízení mohou používat děti od 8 let a osoby s omezenými fyzickými, smyslovými či duševními schopnostmi nebo s nedostatečnými zkušenostmi a znalostmi, jestliže jsou pod dohledem nebo pokud byly ohledně bezpečného používání výrobku poučeny a rozumí souvisejícím rizikům. Nedovolte dětem, aby si se zařízením hrály. Čištění a užitelskou údržbu nesmějí provádět děti bez dozoru.

TECHNICKÉ ÚDAJE

Model		DCL142	DCL182	DCL182F
Kapacita	s vakem na prach	0,50 l		
	s papírovým sáčkem	0,33 l		
Opakované použití	Vysoké	Přibl. 20 min		
	Nízké	Přibl. 40 min		
Celková délka		986 mm	1 004 mm	
Hmotnost netto		1,3 kg		
Jmenovité napětí		14,4 V DC	18 V DC	

- Vzhledem k neustálému výzkumu a vývoji zde uvedené technické údaje podléhají změnám bez upozornění.
- Technické údaje a blok akumulátoru se mohou v různých zemích lišit.
- Hmotnost s blokem akumulátoru dle EPTA – Procedure 01/2003

Symbyoly

Níže jsou uvedeny symbyoly, se kterými se můžete při použití nástroje setkat. Je důležité, abyste dříve, než s ním začnete pracovat, pochopili jejich význam.



Přečtete si návod k obsluze.



Jen pro státy EU
Elektrická zařízení ani akumulátory nelikvidujte současně s domovním odpadem! Vzhledem k dodržování evropských směrnic o odpadních elektrických a elektronických zařízeních a směrnice o bateriích, akumulátorech a odpadních bateriích a akumulátorech s jejich implementací v souladu s národními zákony musí být elektrická zařízení, baterie a bloky akumulátorů po skončení životnosti odděleně shromážděny a předány do ekologicky kompatibilního recyklačního zařízení.

Určení nástroje

Nástroj je určen k vysávání suchého prachu.

DŮLEŽITÉ

BEZPEČNOSTNÍ POKYNY

Při používání elektrického zařízení je třeba vždy dodržovat základní bezpečnostní opatření včetně následujících:

PŘED POUŽITÍM TOHOTO ZAŘÍZENÍ SI PŘEČTĚTE VEŠKERÉ POKYNY.

VAROVÁNÍ – zamezte nebezpečí vzniku požáru, úrazu elektrickým proudem či jinému zranění:

1. **Ne**vystavujte zařízení dešti. Skladujte je ve vnitřních prostorách.
2. **Nedovolte**, aby si se zařízením hrály děti. Při používání dětmi nebo v jejich blízkosti je vyžadována zvýšená pozornost.
3. **Se** zařízením pracujte pouze v souladu s touto příručkou. Používejte pouze nástavce doporučené výrobcem.
4. **Přístroj nepoužívejte** s poškozeným akumulátorem. Jestliže zařízení nepracuje správně, upadlo, bylo poškozeno, ponecháno venku nebo spadlo do vody, předejte je k opravě v servisním středisku.
5. **Se** zařízením nemanipulujte s mokřými rukama.
6. **Nestřkejte žádné předměty** do otvorů. S vysavačem nepracujte, pokud je nějaký otvor zablokovaný – otvory udržujte v čistotě od prachu, chuchvalců, vlasů a všech nečistot, jež by mohly bránit průchodu vzduchu.

- Vlasy, volný oděv, prsty a žádné části těla nepřibližujte k otvorům a pohyblivým částem.
 - Před vyjmutím akumulátoru vypněte všechny ovládací prvky.
 - Zvláště opatrní buďte při práci na schodech.
 - Přístroj nepoužívejte k vysávání hořlavých či zápalných kapalin, například benzínu, a nepracujte v místech, kde se tyto látky mohou vyskytovat.
 - K nabíjení používejte pouze nabíječku doporučenou výrobcem.
 - Nevysávejte nic hořícího či doutnajícího, například cigarety, zápalky ani horký popel.
 - Zařízení nepoužívejte bez nasazených filtrů.
 - Nenabíjejte akumulátor venku.
- Provozování a péče o akumulátorový nástroj**
- Akumulátor dobíjejte pouze pomocí nabíječky určené výrobcem. Nabíječka, která je vhodná pro jeden typ akumulátoru, může při použití s jiným akumulátorem představovat riziko.
 - Elektrické nástroje používejte pouze s určenými akumulátory. Použití jakýchkoliv jiných akumulátorů může představovat riziko zranění a požáru.
 - Není-li akumulátor používán, uložte jej v místě bez kovových předmětů, jimiž jsou například kancelářské sponky, mince, klíče, hřebíky, šrouby či jiné drobné kovové předměty, jež by mohly spojit kontakty.
 - Při nesprávném zacházení může z akumulátoru uniknout kapalina – zamezte kontaktu s touto látkou. Dojde-li k nechtěnému kontaktu, omyjte zasažené místo vodou.

TYTO POKYNY USCHOVEJTE.

Toto zařízení je určeno k použití v domácnosti.

DOPLŇKOVÁ BEZPEČNOSTNÍ PRAVIDLA

- Před použitím si pozorně přečtete tento návod k obsluze a návod k obsluze nabíječky.
- Nevysávejte následující materiály:
 - Žhavé materiály jako hořící cigarety, jiskry nebo kovový prach vznikající při broušení či řezání kovu
 - Hořlavé materiály jako benzín, ředidlo, benzen, petrolej či barvy
 - Výbušné materiály jako nitroglycerin
 - Zápalné materiály jako hliník, zinek, magnezium, titan, fosfor či celuloid
 - Vlhké nečistoty, vodu, olej apod
 - Tvrdé střepy s ostrými hranami, například dřevěné třísky, kovové, kamenné a skleněné odstěpky, hřebíky, špendlíky, holicí čepelky
 - Tvrdnoucí prach, například cement či toner
 - Vodivý prach, například kovový či uhelný
 - Jemné částice, například betonový prach
- Takový postup může způsobit požár, zranění či škody na majetku.
- Pokud si během provozu povšimnete čehokoli neobvyklého, přerušte okamžitě práci.
- Pokud vysavač upustíte nebo do něho silně bouchnete, zkontrolujte před použitím, zda nedošlo k jeho poškození.

- Udržujte jej v bezpečné vzdálenosti od sporáků a jiných zdrojů tepla.
- Neblokujte nasávací otvor a větrací otvory.

TYTO POKYNY USCHOVEJTE.

Důležitá bezpečnostní upozornění pro akumulátor

- Před použitím akumulátoru si přečtete všechny pokyny a varovné symboly na (1) nabíječce, (2) akumulátoru a (3) výrobku využívajícím akumulátor.
- Akumulátor nerozebírejte.
- Pokud se příliš zkrátí provozní doba akumulátoru, přerušte okamžitě práci. V opačném případě existuje riziko přehřívání, popálení nebo dokonce výbuchu.
- Budou-li vaše oči zasaženy elektrolytem, vypláchněte je čistou vodou a okamžitě vyhledejte lékařskou pomoc. Může dojít ke ztrátě zraku.
- Akumulátor nezkratujte:
 - Nedotýkejte se svorek žádným vodivým materiálem.
 - Neskladujte akumulátor v nádobě s jinými kovovými předměty, jako jsou hřebíky, mince, apod.
 - Nevystavuje akumulátor vodě a dešti. Zkrat akumulátoru může způsobit velký průtok proudu, přehřátí, možné popálení a dokonce i poruchu.
- Neskladujte nářadí a akumulátor na místech, kde může teplota překročit 50 °C (122 °F).
- Nespalujte akumulátor, ani když je vážně poškozen nebo úplně opotřeben. Akumulátor může v ohni vybuchnout.
- Dávejte pozor, abyste akumulátor neupustili ani s ním nenaráželi.
- Nepoužívejte poškozené akumulátory.
- Obsažené lithium-iontové akumulátory podléhají právním požadavkům na nebezpečné zboží.

V případě komerční přepravy například externími dopravci je třeba dodržet zvláštní požadavky na balení a značení.

Pro přípravu zboží k přepravě je nutná konzultace s odborníkem na nebezpečný materiál. Dodržujte také případné podrobnější národní předpisy. Odkryté kontakty přelepte izolační páskou či jinak zakryjte a akumulátory zabalte tak, aby se v balení nemohly pohybovat.
- Při likvidaci akumulátoru postupujte podle místních předpisů.
- Akumulátor používejte pouze s výrobky specifikovanými společností Makita. Instalace akumulátoru do nevhovujících výrobků může způsobit požár, nadměrné zahřívání, explozi nebo únik elektrolytu.

TYTO POKYNY USCHOVEJTE.

▲UPOZORNĚNÍ: Používejte pouze originální akumulátory Makita. Používání neoriginálních nebo upravených akumulátorů může způsobit explozi akumulátoru a následný požár, zranění a jiné poškození. Zaniká tím také záruka společnosti Makita na nářadí a nabíječku Makita.

Tipy k zajištění maximální životnosti akumulátoru

1. Akumulátor nabíjte dříve, než dojde k jeho úplnému vybití. Pokud si povšimnete sníženého výkonu nářadí, vždy jej zastavte a dobijte akumulátor.
2. Nikdy nenabíjete úplně nabitý akumulátor. Přebíjení zkracuje životnost akumulátoru.
3. Akumulátor dobíjete při pokojové teplotě od 10 °C do 40 °C (50 °F až 104 °F). Před nabíjením nechejte horký akumulátor zchladnout.
4. Pokud se akumulátor delší dobu nepoužívá (déle než šest měsíců), je nutno jej dobít.

POPIS FUNKCE

⚠ UPOZORNĚNÍ:

- Před nastavováním nástroje nebo kontrolou jeho funkce se vždy přesvědčte, zda je nástroj vypnutý a je odpojen jeho akumulátor.
- Dejte pozor, abyste si při nasazování akumulátoru neskřípli prst (prsty) mezi vysavač a akumulátor (viz obrázek). Přiskřípnutí prstu (prstů) může způsobit zranění.

► Obr.1

Instalace a demontáž akumulátoru

- Obr.2: 1. Červený indikátor 2. Tlačítko 3. Akumulátor

⚠ UPOZORNĚNÍ:

- Před nasazením či sejmutím bloku akumulátoru nářadí vždy vypněte.
- Při nasazování či snímání bloku akumulátoru pevně držte nářadí i akumulátor. V opačném případě vám mohou nářadí nebo akumulátor vyklouznout z ruky a mohlo by dojít k jejich poškození či ke zranění.

Jestliže chcete blok akumulátoru vyjmout, vysuňte jej se současným přesunutím tlačítka na přední straně akumulátoru.

Při instalaci akumulátoru vyrovnajte jazyček na bloku akumulátoru s drážkou v krytu a zasuňte akumulátor na místo. Akumulátor zasuňte na doraz, až zacvakne na místo. Není-li tlačítko zcela zajištěno, uvidíte na jeho horní straně červený indikátor.

⚠ UPOZORNĚNÍ:

- Akumulátor zasunujte vždy zcela tak, aby nebyl červený indikátor vidět. Jinak by mohl akumulátor ze zařízení vypadnout a způsobit zranění obsluze či přihlížejícím osobám.
- Blok akumulátoru nenasazujte násilím. Nelze-li akumulátor zasunout snadno, nevkládáte jej správně.

System ochrany akumulátoru

K zajištění dlouhé životnosti je vysavač vybaven systémem ochrany, jenž zařízení automaticky vypne. Vysavač se během provozu vypne v případě, že budou akumulátor nebo vysavač vystaveny níže uvedeným podmínkám. Příčinou vypnutí je aktivace systému ochrany – nejedná se o žádné problémy s vysavačem.

- Při přetížení vysavače: Uvolněte spoušť, odstraňte příčiny přetížení, potom spoušť znovu stiskněte a obnovte činnost.
- Nízká úroveň zbývajících energie akumulátoru: Nabijte blok akumulátoru.

Zapínání

- Obr.3: 1. Tlačítko Vyp 2. Tlačítko HIGH/LOW 3. Kontrolka energie akumulátoru

Vysavač spustíte jednoduše stisknutím tlačítka „HIGH/LOW“. Vypnutí provedete stisknutím tlačítka „OFF“. Výkon vysavače změníte stisknutím tlačítka „HIGH/LOW“. Prvním stisknutím tohoto tlačítka zapnete vysoké otáčky, druhým stisknutím nízké a každým dalším stisknutím tlačítka se pak cyklus vysokých a nízkých otáček střídavě mění.

Rozsvícení světla

Platí pouze pro model DCL182F

⚠ UPOZORNĚNÍ:

- Nikdy se nedívejte přímo do světla. Přímý pohled do světla může způsobit poškození zraku.

- Obr.4: 1. Tlačítko Vyp 2. Tlačítko HIGH/LOW 3. Kontrolka energie akumulátoru 4. Světlo











Světlo zapnete jednoduše stisknutím tlačítka „HIGH/LOW“. Světlo vypnete stisknutím tlačítka „OFF“.

Indikace zbývajících kapacity akumulátoru

Pouze pro akumulátory s diodovým ukazatelem

- Obr.5: 1. Kontrolky 2. Tlačítko kontroly

Stisknutím tlačítka kontroly na akumulátoru zjistíte zbývajících kapacitu akumulátoru. Kontrolky indikátoru se na několik sekund rozsvítí.

Kontrolky			Zbývajících kapacita
 Svítí	 Nesvítí	 Bliká	
			75 % až 100 %
			50 % až 75 %
			25 % až 50 %
			0 % až 25 %
			Nabíje akumulátor.
			Došlo pravděpodobně k poruše akumulátoru.
			

POZNÁMKA: Kapacita udávaná indikátorem se může mírně lišit od skutečné kapacity v závislosti na podmínkách používání a teplotě prostředí.

Kontrolka energie akumulátoru

► **Obr.6:** 1. Tlačítko Vyp 2. Tlačítko HIGH/LOW
3. Kontrolka energie akumulátoru

- Při nízké zbývajících kapacitě akumulátoru kontrolka energie akumulátoru bliká.
- Jestliže se zbývajících kapacita akumulátoru značně sníží, spuštěné nářadí se vypne a kontrolka energie akumulátoru se asi na deset vteřin rozsvítí. Vyjmete akumulátor z nářadí a nabijte jej.

POZNÁMKA:

- Doba, kdy začne kontrolka energie akumulátoru blikat nebo svítit, se odvíjí od teploty na pracovišti a stavu bloku akumulátoru.

MONTÁŽ

▲ UPOZORNĚNÍ:

- Před prováděním libovolných prací na nástroji se vždy přesvědčte, zda je nástroj vypnutý a je odpojen jeho akumulátor.

Vyspávání prachu

▲ UPOZORNĚNÍ:

- Vyprázdněte vysavač před tím, než bude příliš plný, nebo když se sníží síla sání.
- Vyčistěte také prach uvnitř samotného vysavače. Pokud tak neučiníte, může dojít k zanesení houbového filtru nebo poškození motoru.
- Nikdy nevyhazujte prachové víko – je nutné jej vždy používat s vakem na prach nebo papírovým sáčkem.

► **Obr.7:** 1. Přední kryt 2. Tlačítko

1. Stisknutím tlačítka otevřete přední kryt. Otevíráním do okamžiku zacvaknutí kryt v dané poloze zajistíte.

► **Obr.8:** 1. Přední kryt 2. Spoj předního krytu

POZNÁMKA:

- Vysavač je zkonstruován tak, aby se přední kryt při úsilí o otevření ve větším než 90° úhlu oddělil. Jestliže se přední kryt oddělí, nasadte na příslušné místo spoje předního krytu.

▲ UPOZORNĚNÍ:

- Při zavírání předního krytu dejte pozor, abyste si neskřípli prsty.

► **Obr.9:** 1. Prachové víko

2. Vytahujte současně zároveň oranžové prachové víčko a vak na prach.

► **Obr.10:** 1. Prachové víko

► **Obr.11**

3. Sundejte prachové víko a vyprázdněte pytel.

Prachový pytel a papírový pytel

Před používáním vysavače nainstalujte prachový nebo papírový pytel zpět.

Prachové víko používejte s prachovým i papírovým pytlím.

Vak na prach lze po jeho vyčištění použít opakovaně. Papírový pytel je určen jen k jednomu použití. Po jeho naplnění vyhodte celý prachový pytel bez jeho vysypání.

Instalace vaku na prach

► **Obr.12:** 1. Horní strana prachového víka 2. Dolní strana prachového víka

Při instalaci prachového pytle použijte prachové víko. Dávejte pozor, abyste nezaměnili horní a dolní stranu, protože se od sebe liší.

► **Obr.13:** 1. Prachové víko 2. Drážka 3. Vak na prach

1. Zasuňte výstupek prachového pytle do drážky v prachovém víku podle obrázku.

► **Obr.14:** 1. Dolní drážka

2. Mezi horní a dolní stranou prachového pytle není žádný rozdíl. Do dolní drážky prachového víka můžete zasunout libovolný výstupek na prachovém pytlí.

► **Obr.15**

3. Nasadte záchytku prachového víka na prachový pytel.

► **Obr.16:** 1. Prostor vysavače

4. Vložte prachové víko a prachový pytel do prostoru vysavače ve směru šipky na prachovém víku. Zasuňte je zcela do otvorů v prostoru vysavače.

► **Obr.17**

5. Vložte celou textilní část prachového pytle do vysavače.

► **Obr.18:** 1. Přední kryt

6. Přední kryt zcela zavřete.

Vložení papírového pytle

► **Obr.19**

1. Před nasazením papírového pytle na prachové víko rozevřete vstupní otvor pytle.

► **Obr.20:** 1. Horní strana prachového víka 2. Dolní strana prachového víka

Prachové víko použijte také při instalaci papírového sáčku. Dávejte pozor, abyste nezaměnili horní a dolní stranu, protože se od sebe liší.

► **Obr.21:** 1. Prachové víko 2. Papírový sáček
3. Drážka

2. Zasuňte výstupek papírového sáčku do drážky v prachovém víku podle obrázku.

► **Obr.22:** 1. Dolní drážka

3. Mezi horní a dolní stranou papírového sáčku není žádný rozdíl. Do dolní drážky prachového víka můžete zasunout libovolný výstupek na papírovém sáčku.

► **Obr.23**

4. Nasadte záchytku prachového víka na papírový sáček.

► **Obr.24:** 1. Prostor vysavače

5. Vložte prachové víko a papírový sáček do prostoru vysavače ve směru šipky na prachovém víku. Zasuňte je zcela do drážek v prostoru vysavače.

► Obr.25

- Vložte celou sběrnou část papírového sáčku do vysavače.
- Přední kryt zcela zavřete.

▲ UPOZORNĚNÍ:

- Pokud nenainstalujete prachový pytel nebo papírový pytel, nevložíte s prachovým pytlem nebo papírovým pytlem také prachové víko nebo pokud použijete narušený nebo roztržený pytel, může dojít k vniknutí prachu do motoru. To může způsobit poškození motoru.
- Při vkládání papírového pytle neohýbejte karton u jeho otvoru.
- Prachové víčko nikdy nevyhazujte, neboť je třeba jej používat opakovaně při použití vaku na prach či papírového sáčku.
- Papírový sáček vysavače je důležitou součástí k uchování výkonnosti zařízení. Použití jiných než originálních papírových sáčků může způsobit prašivost nebo požár.

PRÁCE

▲ UPOZORNĚNÍ:

- Chcete-li připojit příslušenství, například hubici, nasadte příslušenství a otočte jím ve směru šípky, abyste při používání zabezpečili pevné spojení. Příslušenství odpojte otočením a vysunutím rovněž ve směru šípky.

► Obr.26

Vysávání

Hubice

Hubici nasadte při čištění stolů, nábytku atd. Hubice snadno klouže.

► Obr.27: 1. Hubice

Hubice a prodlužovací nástavec (rovná trubice)

Prodlužovací nástavec patří mezi hubici a vysavač. Tato konfigurace je vhodná k vysávání podlahy.

► Obr.28: 1. Tělo vysavače 2. Prodlužovací nástavec 3. Hubice

Rohová hubice

Při vysávání rohů a obtížně přístupných míst v automobilu nebo na nábytku nasadte rohovou hubici.

► Obr.29: 1. Tělo vysavače 2. Rohová hubice

Rohová hubice a prodlužovací nástavec (rovná trubice)

Tuto konfiguraci použijte při vysávání obtížně přístupných míst, do kterých se nevejde samotný vysavač, nebo při vysávání vysoko položených míst.

► Obr.30: 1. Tělo vysavače 2. Prodlužovací nástavec 3. Rohová hubice

Vysávání bez hubice

Prach můžete vysávat i bez hubice.

► Obr.31

ÚDRŽBA

▲ UPOZORNĚNÍ:

- Než začnete provádět kontrolu nebo údržbu nástroje, vždy se přesvědčte, že je vypnutý.

Činnosti po ukončení práce

POZNÁMKA:

- Vysavač opřený o stěnu bez žádného dalšího zajištění může spadnout a poškodit se.

► Obr.32

Čištění

► Obr.33

Vnější část vysavače (tělo vysavače) pravidelně otřetejete hadříkem navlhčeným v mýdlové vodě.

Čistěte také sací otvor, prostor pro vak na prach / papírový sáček a prachové víko.

▲ UPOZORNĚNÍ:

- Nikdy nepoužívejte benzín, benzen, ředidlo, alkohol či podobné prostředky. Mohlo by tak dojít ke změnám barvy, deformacím či vzniku prasklin.

► Obr.34

Když se prachový pytel zanesne prachem a sníží se sací výkon, omyjte jej v mýdlové vodě. Před použitím jej nechte řádně oschnout. Při používání nedostatečně vysušeného pytle může být snížen sací výkon a zkrácena životnost motoru.

POZNÁMKA:

- Papírový sáček je určen jen k jednomu použití.

Dojde-li k zanesení houbového filtru prachem, vyndejte jej z vysavače a oťete jej nebo jej omyjte ve vodě.

Vyjmutí a vložení houbového filtru

► Obr.35: 1. Houbový filtr

Chcete-li vyjmout pěnový filtr, vyjměte vak na prach nebo papírový sáček, stiskněte jej a vytáhněte.

► Obr.36: 1. Zapuštěná stěna

Zatlačte celý okraj pěnového filtru do zapuštěné stěny v prostoru pro instalaci vaku na prach / papírového sáčku.

▲ UPOZORNĚNÍ:

- Po očištění houbový filtr znovu vložte do vysavače. Pokud jste jej myli ve vodě, nechte jej před vložením oschnout. Používání nedostatečně vysušeného filtru může mít za následek zkrácení životnosti motoru.

Držák akumulátorového vysavače k montáži na stěnu

Volitelné příslušenství

POZNÁMKA: Šroub k upevnění držáku není součástí dodávky. Připravte si šroub, který bude vhodný k zašroubování do materiálu.

Upevněte držák akumulátorového vysavače na pevnou dřevěnou stěnu, trám nebo sloup, ke kterým lze držák akumulátorového vysavače na stěnu bezpečně upevnit. Před zavěšením vysavače se vždy ujistěte, zda je držák akumulátorového vysavače k montáži na stěnu bezpečně upevněn.

► **Obr.37:** 1. Držák akumulátorového vysavače k montáži na stěnu

⚠ UPOZORNĚNÍ: Vysavač nezavěšujte do držáku k upevnění na stěnu násilím, ani do držáku nezavěšujte jiné předměty než vysavač.

Body ke kontrole před žádostí o opravu

Příznak	Cíl kontroly	Způsob nápravy
Slabý sací výkon	Není vak na prach nebo papírový sáček plný prachu?	Vyprázdněte vak na prach nebo papírový sáček.
	Není ucpaný vak na prach?	Vyprašte nebo vyperte vak na prach.
	Není ucpaný papírový sáček?	Vyměňte papírový sáček.
	Není vybitý blok akumulátoru?	Nabijte blok akumulátoru.
Zařízení nepracuje	Není vybitý blok akumulátoru?	Nabijte blok akumulátoru.

POZNÁMKA:

- Nepokoušejte se opravovat vysavač sami.

Kvůli zachování BEZPEČNOSTI a SPOLEHLIVOSTI výrobku musí být opravy a veškerá další údržba či seřizování prováděny autorizovanými servisními středisky firmy Makita a s použitím náhradních dílů Makita.

VOLITELNÉ PŘÍSLUŠENSTVÍ

⚠ UPOZORNĚNÍ:

- S vysavačem Makita popsáním v tomto návodu doporučujeme používat následující příslušenství a nástavce. Při použití jiného příslušenství či nástavců může hrozit nebezpečí zranění osob. Příslušenství a nástavce používejte pouze pro stanovené účely.

POZNÁMKA:

- Některé položky seznamu mohou být k zařízením přibaleny jako standardní příslušenství. Přibalené příslušenství se může v různých zemích lišit.

Potřebujete-li bližší informace ohledně tohoto příslušenství, obraťte se na vaše místní servisní středisko firmy Makita.

- Prodlužovací nástavec (rovná trubice)
- Hubice
- Hubice na koberec
- Kartáčová hubice
- Rohová hubice
- Hubice s kulatým kartáčem
- Pružná hadice
- Papírový pytel
- Držák akumulátorového vysavače k montáži na stěnu
- Originální akumulátor a nabíječka Makita

Makita Europe N.V. Jan-Baptist Vinkstraat 2,
3070 Kortenberg, Belgium

Makita Corporation 3-11-8, Sumiyoshi-cho,
Anjo, Aichi 446-8502 Japan

www.makita.com

885263C970
EN, UK, PL, RO,
DE, HU, SK, CS
20171213