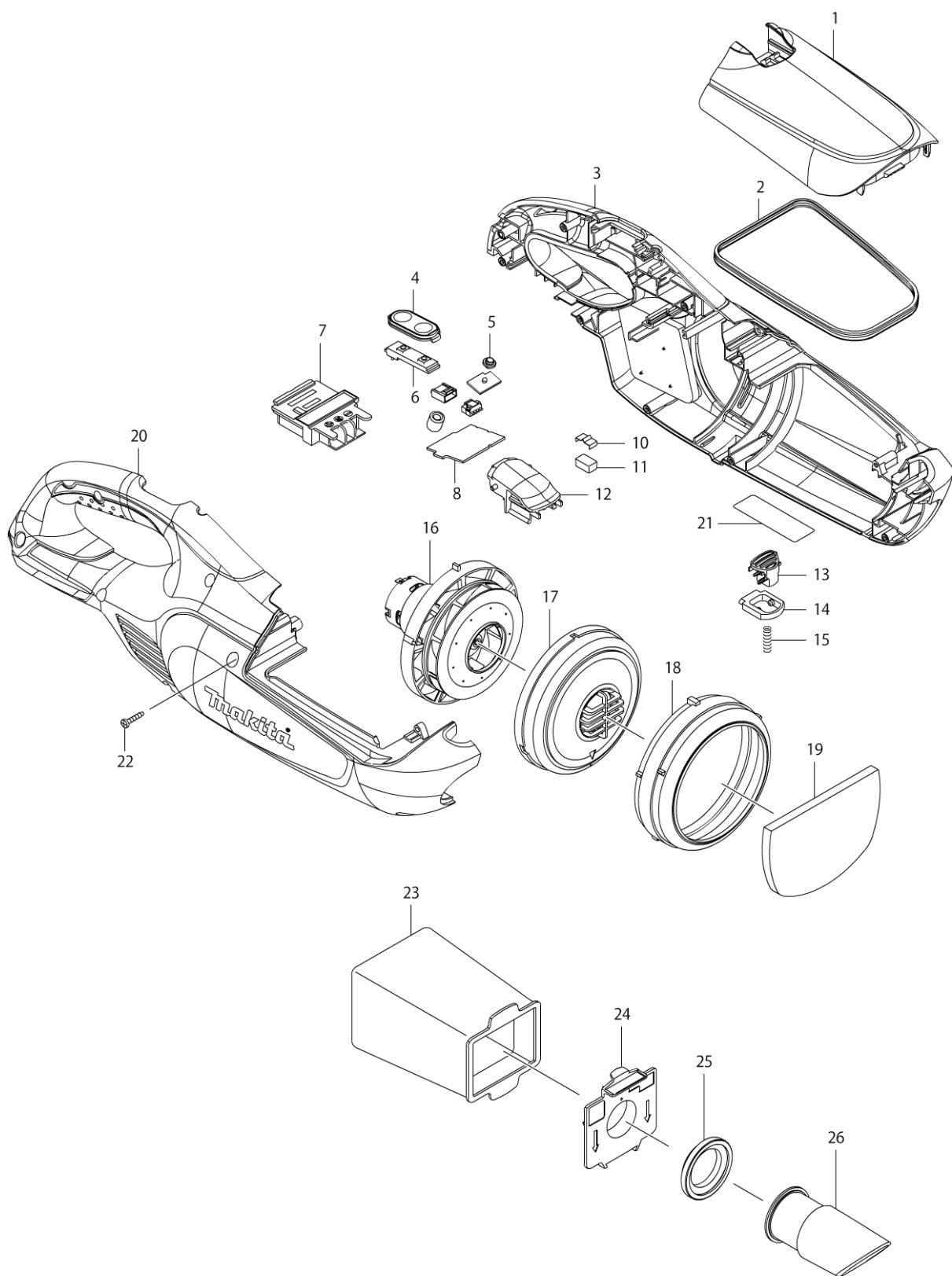


Model No. DCL182 CORDLESS CLEANER



Model No. DCL182 CORDLESS CLEANER

Item	Parts No.	Description	I/C	Qty	N/O	Opt. 1	Opt. 2	Note
001	452349-8	FRONT COVER		1				
002	424093-7	SEAL		1				
003	188998-2	HOUSING SET		1				
C10	424209-4	SPONGE SHEET 50-50		2				
D10		INC. 20						
004	140463-9	SWITCH PLATE COMPLETE		1				
C10	816528-6	SWITCH LABEL		1				
005	450522-4	LENS		1				
006	631973-2	SWITCH UNIT		1				
007	643860-3	TERMINAL		1				
008	638866-4	CONTROLLER UNIT		1				
C10	688164-6	LINE FILTER		1				
C20	654069-2	RECEPTACLE		2				
010	232264-0	LEAF SPRING		1				
011	424367-6	RUBBER		1				
012	452347-2	FRONT COVER JOINT		1				
013	452351-1	BUTTON		1				
014	452352-9	STOPPER		1				
015	234205-2	COMPRESSION SPRING 4		1				
016	125932-1	MOTOR ASSEMBLY		1				
C10	240102-2	FAN 82		1				
C20	265199-0	+ PAN HEAD SCREW M3X8		2				
C30	452455-9	BASE		1				
017	416030-5	FAN COVER		1				
018	424320-2	RUBBER RING		1				
019	423287-1	SPONGE SHEET 70-106		1				
020	188998-2	HOUSING SET		1				
C10	424209-4	SPONGE SHEET 50-50		2				
D10		INC. 3						
021	815G97-6	DCL182 NAME PLATE		1				
022	266429-2	TAPPING SCREW 3X16		9				
023	166084-9	DUST BAG		1				
024	141088-2	VALVE STAY COMPLETE		1				
025	424094-5	PACKING		1				
026	452345-6	INLET		1				
027	268271-7	PIN 3		1				
028	233580-3	TORSION SPRING 4		1				
A01	122859-6	NOZZLE ASS'Y		1				
C10	451410-8	ROLLER		4				
C20	268208-4	PIN 3		4				
C30	424096-1	WIPER		1				
A02	451243-1	SASH NOZZLE		1				
A03	451244-9	PIPE		1				
A04	451245-7	SASH NOZZLE HOLDER		1				
A05	194566-1	PAPER FILTER SET (5PCS/SET)		1				